
REDROCK

Machinery Ltd



Redrock Blockcutter Range

Part Manual

2021 Issue



Blockcutter Range

Contents

85 Series	4
85 Series 2 Ram Parts	5
Tines	6
Blades	7
Pins	8
Fasteners	10
Hydraulics	11
Stickers	13
Push Off	14
85 Series 3 Ram Parts	15
Tines	16
Blades	16
Pins	17
Fasteners	18
Hydraulics	19
Stickers	21
Push off.....	22
85 Series All Round Parts	23
Blades	24
Pins	25
Fasteners	26
Hydraulics	27
Stickers	29
100 Series	30
100 Series 2 Ram Parts	31
Tines	32
Blades	32
Pins	33
Fasteners	35
Hydraulics	36
Stickers	38
Push Off	39
100 Series 3 Ram Parts	40
Tines	41
Blades	41
Pins	42
Fasteners	43
Hydraulics	44
Stickers	46

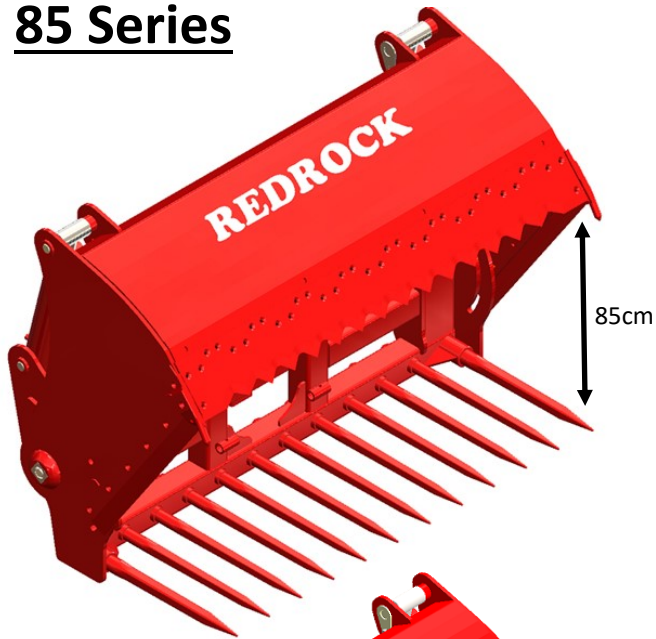
Blockcutter Range

Contents

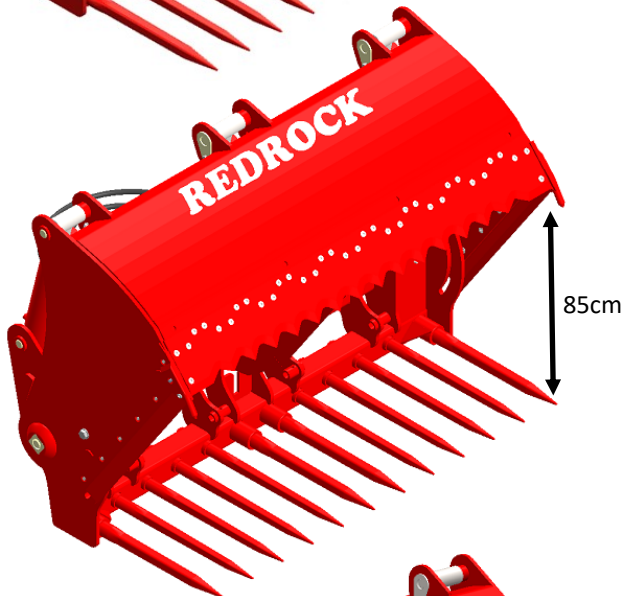
100 Series All Round Parts	48
Blades	49
Pins	50
Fasteners	51
Hydraulics	52
Stickers	54
<u>130 Series.....</u>	55
130 Series 2 Ram Parts	56
Tines	57
Blades	57
Pins	58
Fasteners	60
Hydraulics	61
Stickers	63
Push off.....	64
130 Series 3 Ram Parts	65
Tines	66
Blades	66
Pins	67
Fasteners	69
Hydraulics	70
Stickers	72
Push Off	73
130 Series All Round Parts	74
Blades	75
Pins	76
Fasteners	77
Hydraulics	78
Stickers	80
<u>Low lift Mast</u>	81
<u>High Lift Mass.....</u>	83
<u>Bale Grab</u>	85

Blockcutter Range

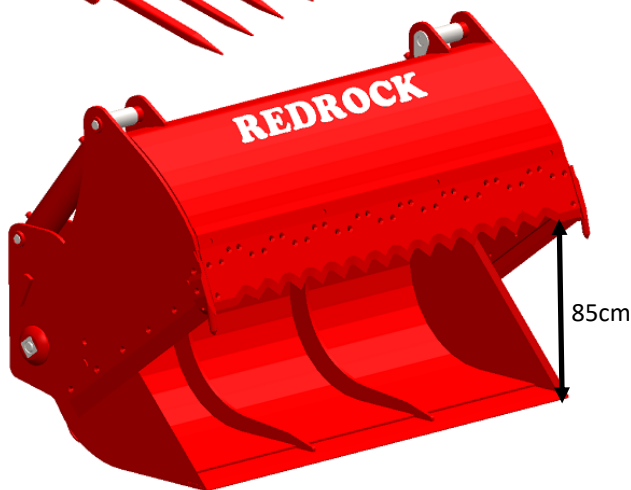
85 Series



137-85
157-85
180-85
200-85
218-85



180-85 3RAM
218-85 3RAM



157-85 AR
180-85 AR
200-85 AR

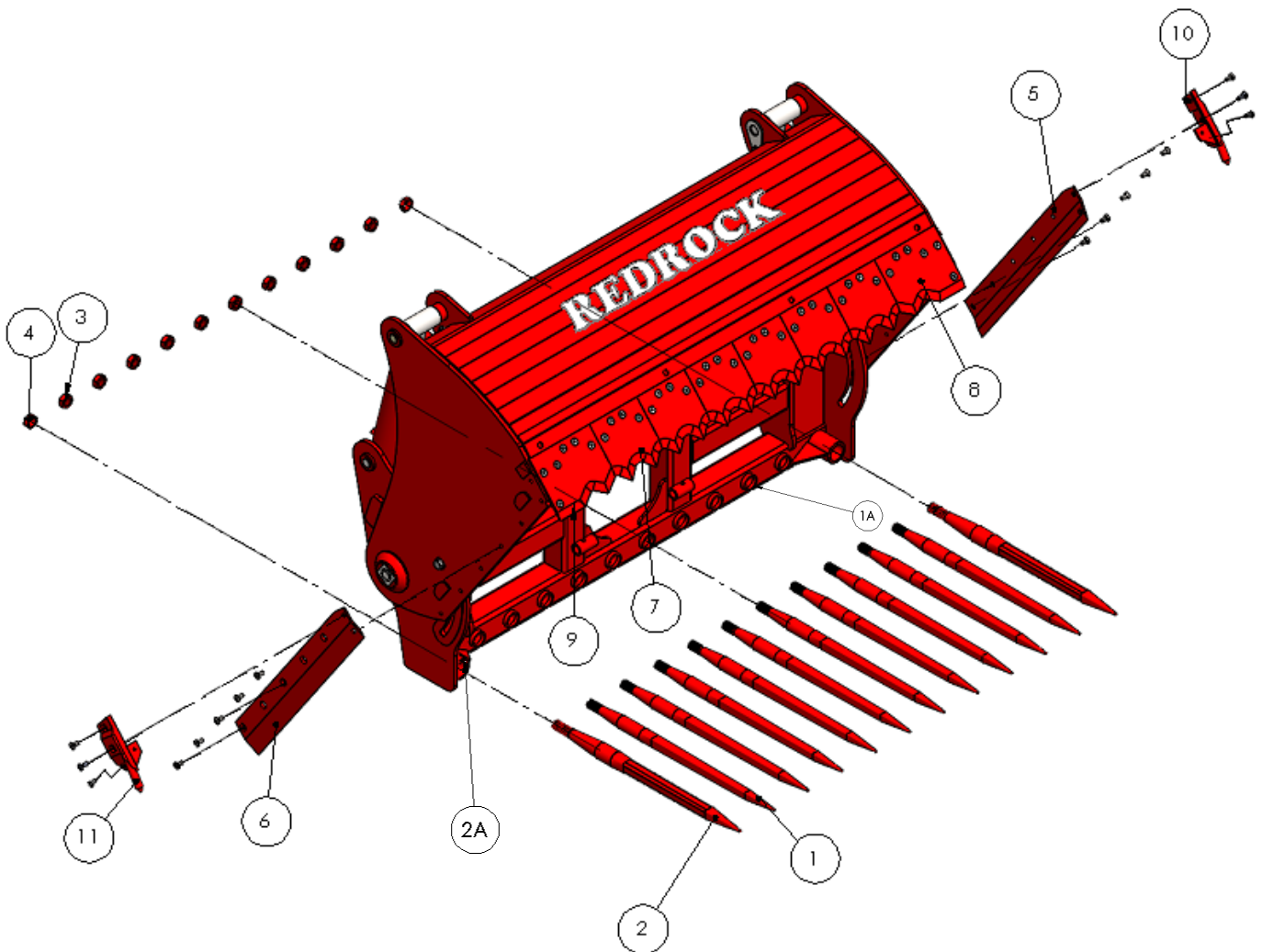
CONTACT –0044 (0) 2837 552390

EMAIL – david.ferris@redrockmachinery.com



Blockcutter Range

85 Series 2 Ram Parts



ITEM NO.	PART NO.	DESCRIPTION	QTY.
1	100082	820mm K2 HD SQ Tine	See page 6
1A	100018	Conus 2 Large Tine Bush	See page 6
2	1000821	820mm K3 HD SQ Tine	2
2A	100020-00	K3 HD Tine Bush	2
3	1000822	M28 Tine nut	See page 6
4	1000829	M30 Tine Nut	2
5	100083L	LH Silage Knife	1
6	100083R	Silage Knife RH	1
7	1000851	210mm Front Blade	See page 7
8	1000865L	265mm Front Left Blade	1
9	1000865R	265mm Front Right Blade	1
10	100088L	LH Bolt on Stop Point	1
11	100088R	RH Bolt on Stop Point	1

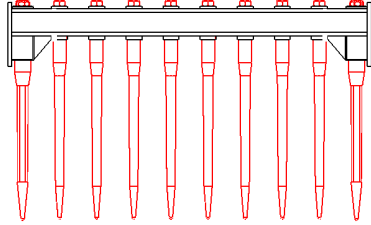
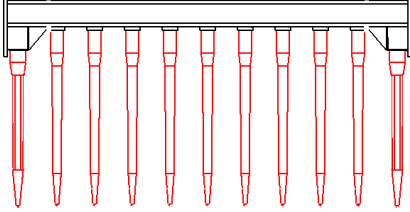
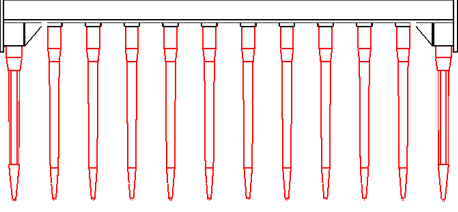
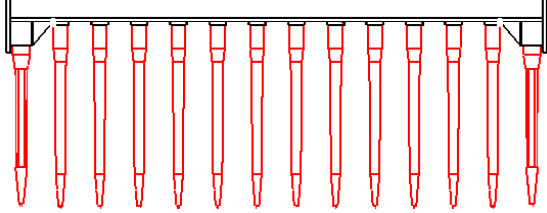
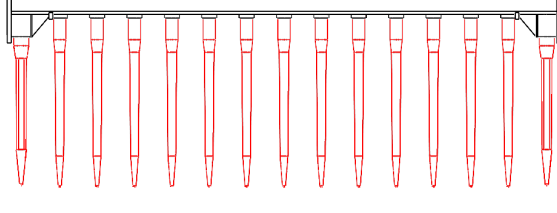
CONTACT –0044 (0) 2837 552390

EMAIL – david.ferris@redrockmachinery.com



Blockcutter Range

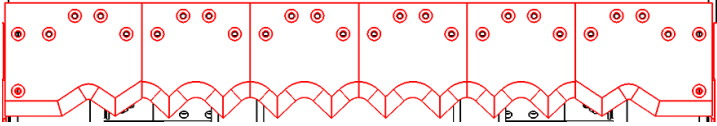
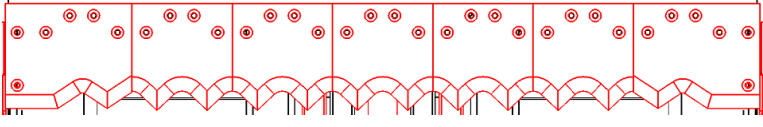
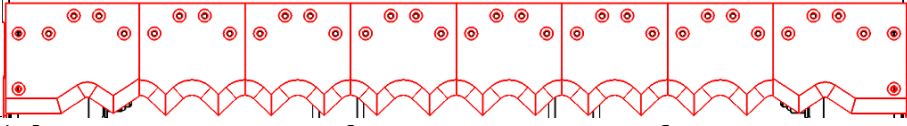
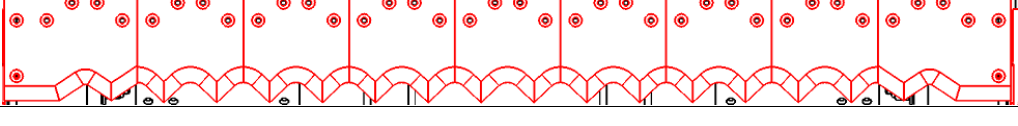
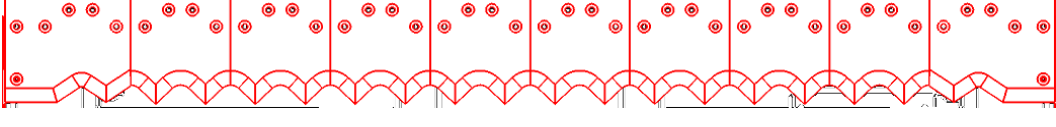
85 Series 2 Ram Tines

137-85	 <p>8x100082 820mm K2 HD SQ Tine 2x1000821 820mm K3 HD SQ Tine</p>
157-85	 <p>9x100082 820mm K2 HD SQ Tine 2x1000821 820mm K3 HD SQ Tine</p>
180-85	 <p>10x100082 820mm K2 HD SQ Tine 2x1000821 820mm K3 HD SQ Tine</p>
200-85	 <p>12x100082 820mm K2 HD SQ Tine 2x1000821 820mm K3 HD SQ Tine</p>
218-85	 <p>13x100082 820mm K2 HD SQ Tine 2x1000821 820mm K3 HD SQ Tine</p>

Blockcutter Range

85 Series 2 Ram Blades

The amount of front blades depends on the model as they get wider more of the blade 7 (100851) gets added. Refer to this table to know the quantity required for your model:

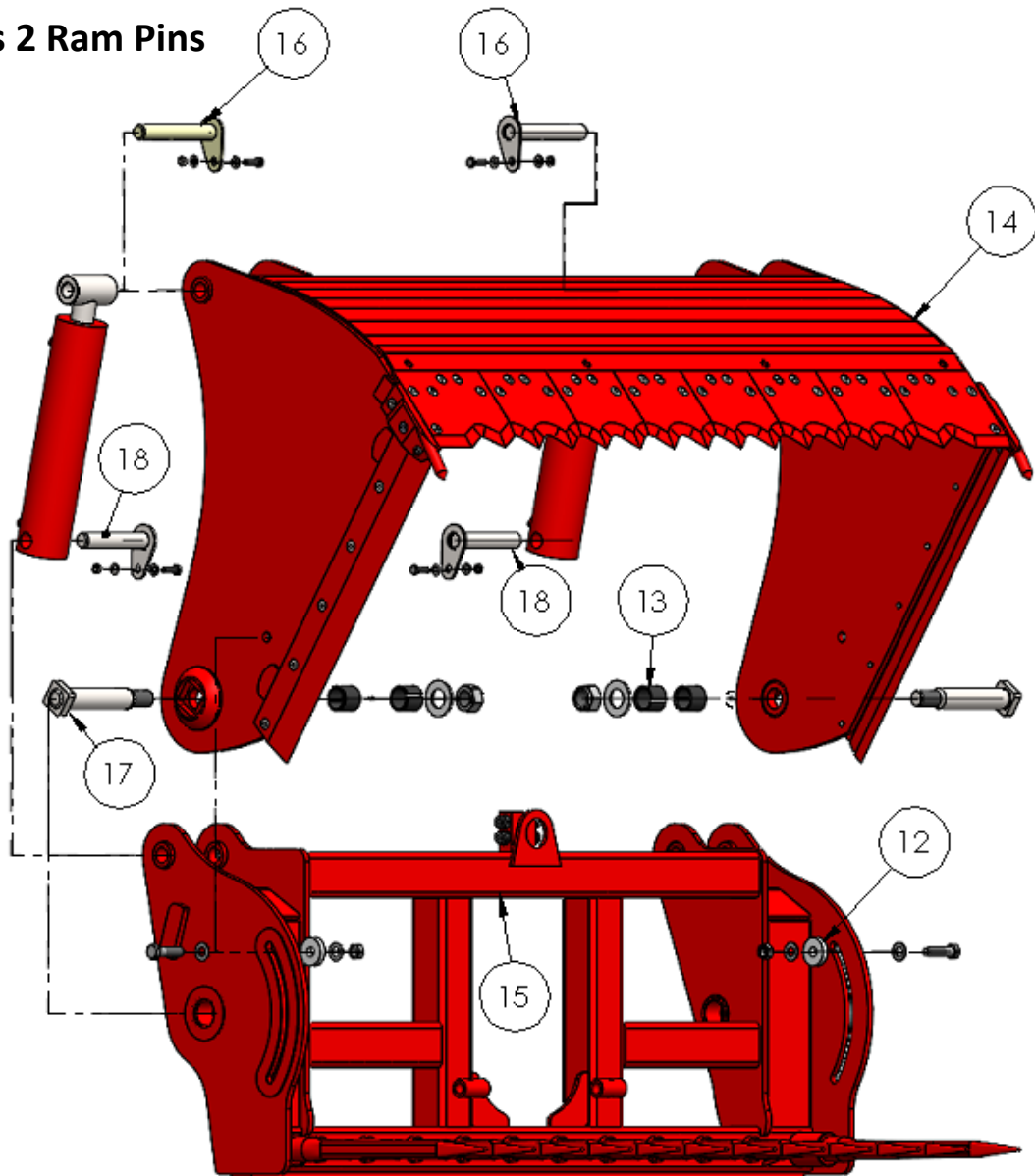
137-85		4x 1000851- 210mm Front Blade 28x FA11211—M12x25 SKT CSK
157-85		5x 1000851- 210mm Front Blade 32x FA11211—M12x25 SKT CSK
180-85		6x 1000851 36x FA11211
200-85		7x 1000851 40x FA11211
218-85		8x 1000851 44x FA11211

77 Redrock Road,
Collone, Armagh,
N. Ireland BT60 2BL

Tel – 0044 28 3755 2390
Web – www.redrockmachinery.com

Blockcutter Range

85 Series 2 Ram Pins



ITEM NO.	PART NO.	DESCRIPTION	QTY.
12	106684-00	85 Series 62mm Wear Washer	2
13	1090905	EG 45/55x50mm Steel Bush	4
14		Blockcutter Front Assembly	1
	11378510-00	137-85 Blockcutter Front Assembly	
	11578510-00	157-85 Blockcutter Front Assembly	
	11808510-00	180-85 Blockcutter Front Assembly	
	12008510-00	200-85 Blockcutter Front Assembly	
	12188510-00	218-85 Blockcutter Front Assembly	

CONTACT –0044 (0) 2837 552390

EMAIL – david.ferris@redrockmachinery.com

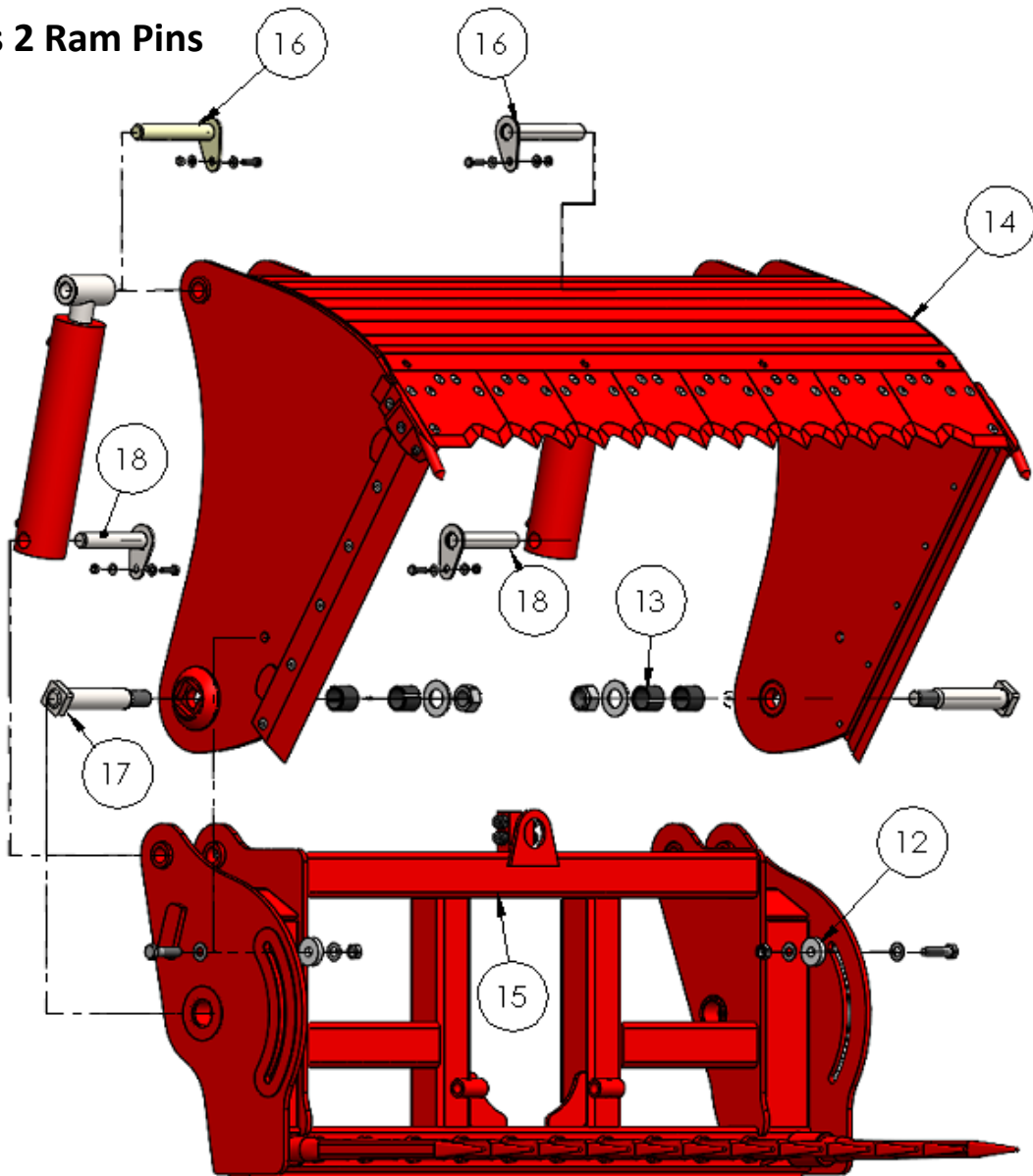


77 Redrock Road,
Collone, Armagh,
N. Ireland BT60 2BL

Tel – 0044 28 3755 2390
Web – www.redrockmachinery.com

Blockcutter Range

85 Series 2 Ram Pins



ITEM NO.	PART NO.	DESCRIPTION	QTY.
15		Blockcutter Back Assembly	1
	11378520-00	137-85 Blockcutter Back Assembly	
	11578520-00	157-85 Blockcutter Back Assembly	
	11808520-00	180-85 Blockcutter Back Assembly	
	12008520-00	200-85 Blockcutter Back Assembly	
	12188520-00	218-85 Blockcutter Back Assembly	
16	1851105-01	85 Series Front ram pin	2
17	1851110-00	85 & 100 Series Main Hinge Pin	2
18	1852100-01	85 Series Rear ram pin	2

CONTACT –0044 (0) 2837 552390

EMAIL – david.ferris@redrockmachinery.com

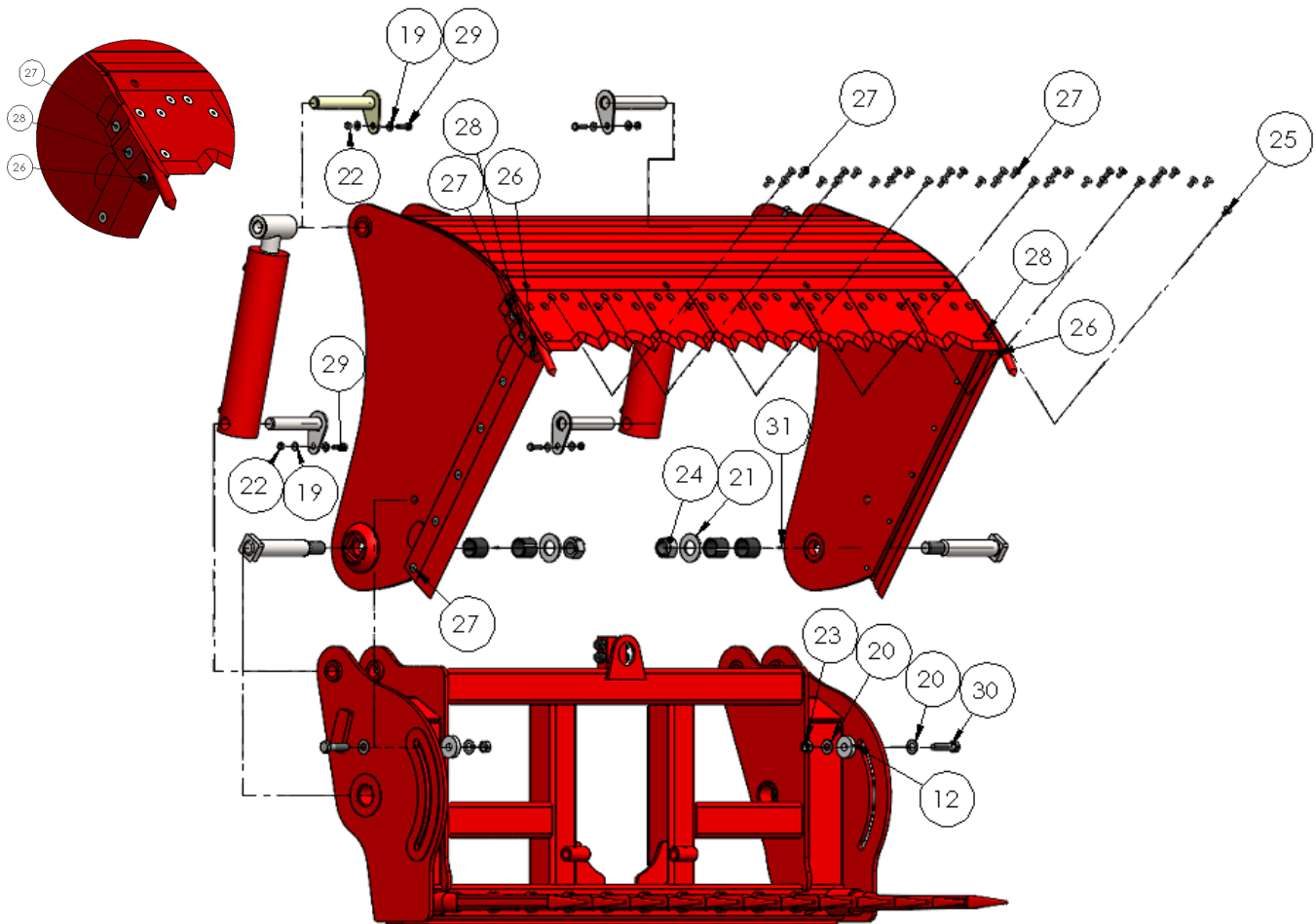


77 Redrock Road,
Collone, Armagh,
N. Ireland BT60 2BL

Tel – 0044 28 3755 2390
Web – www.redrockmachinery.com

Blockcutter Range

85 Series 2 Ram Fasteners



ITEM NO.	PART NO.	DESCRIPTION	QTY.
19	FA00125	M12 Washer	8
20	FA00150P	3/4 WASHER PLATED(19.05)	4
21	FA00230	1 1/2" Washer Plated (38.10)	2
22	FA02040P	M12 Lock Nut	4
23	FA02060P	M20 NYLOC Nut Plated	2
24	FA02090	M36 Nyloc Nut	2
25	FA11205	M12 x 20 SS CSK	2
26	FA11206	M12 x 20 Socket Button Head Screw Plated	2
27	FA11211	M12x25 SKT CSK	See page 7
28	FA11216	M12x030 SKT CSK SC PL	2
29	FA11220P	M12x40 Set Screw Plated	4
30	FA12025	M20x80 Hexagon Bolt Plated	2
31	FA18110	M6 Straight Grease Nipple	2

CONTACT –0044 (0) 2837 552390

EMAIL – david.ferris@redrockmachinery.com

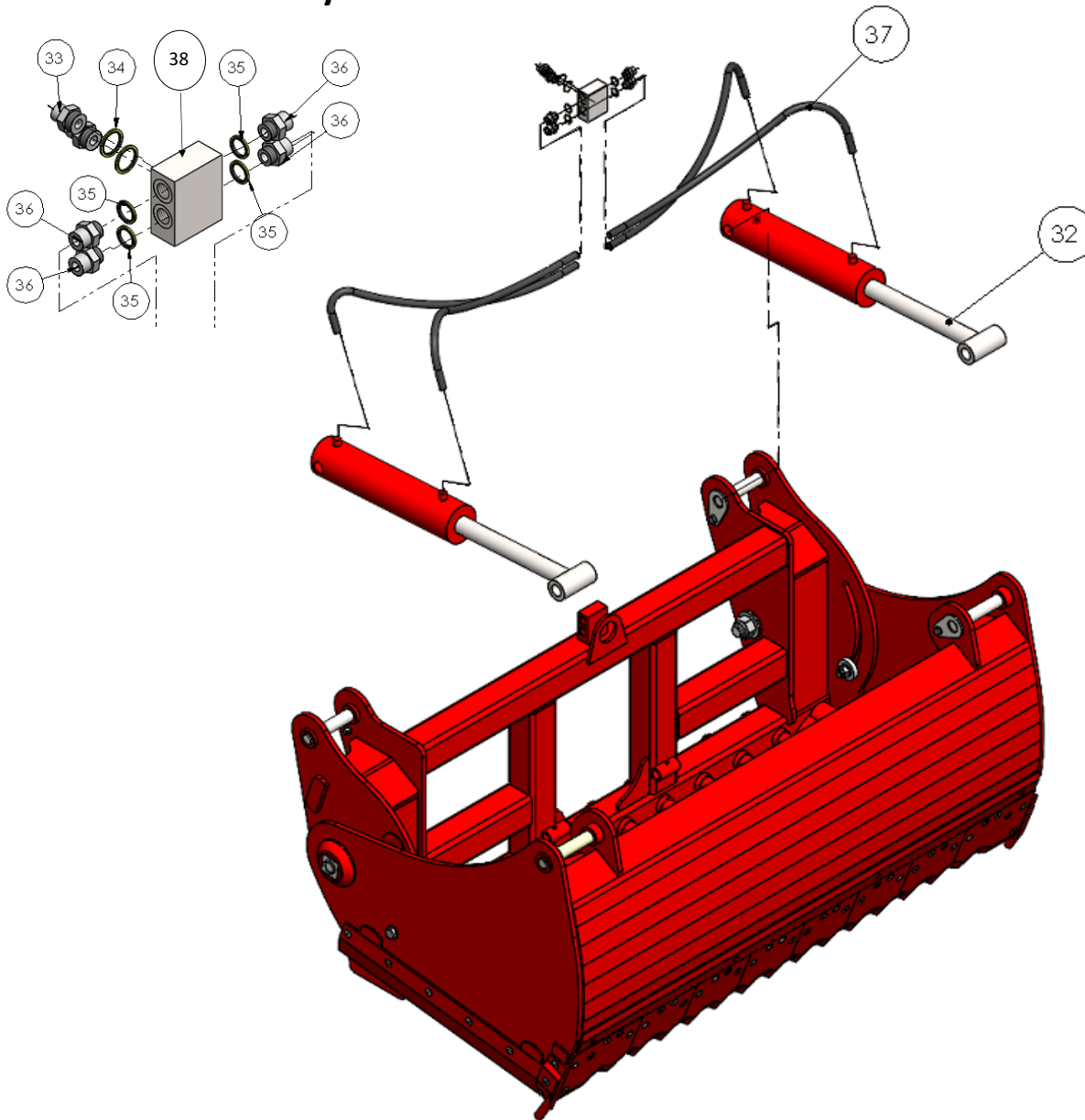


77 Redrock Road,
Collone, Armagh,
N. Ireland BT60 2BL

Tel – 0044 28 3755 2390
Web – www.redrockmachinery.com

Blockcutter Range

85 Series 2 Ram Hydraulics



ITEM NO.	PART NO.	DESCRIPTION	QTY.
32	HC100230-00	100mm/50mm Hydraulic Ram Type 2	2
33	HY05680	M26-M22 Male Adapter	2
34	HY10115	M26 Dowty Seal	2
35	HY10110	M22 Dowty Seal	4
36	HY05540	M24-M22 Male Adapter	4
37	See Page 12	Hose Kit	1
38	HY04600-01	Machined Twin Tee Weld-on	1

CONTACT – 0044 (0) 2837 552390

EMAIL – david.ferris@redrockmachinery.com



Blockcutter Range

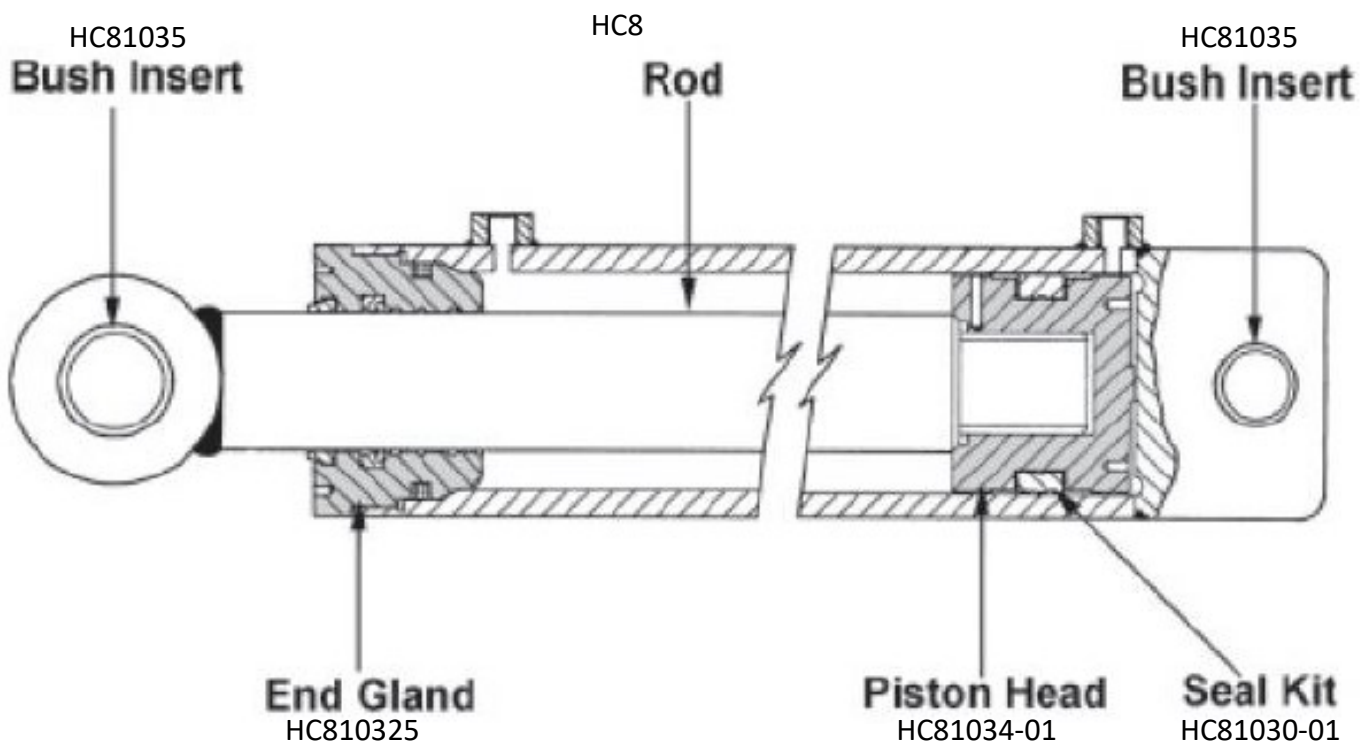
85 Series 2 Ram Hydraulics

Hose Kits

Model	Kit Number
137-85	102092
157-85	101092
180-85	114092
200-85	110092
218-85	

85 Series Ram

Part Number: HC100230-00



CONTACT –0044 (0) 2837 552390

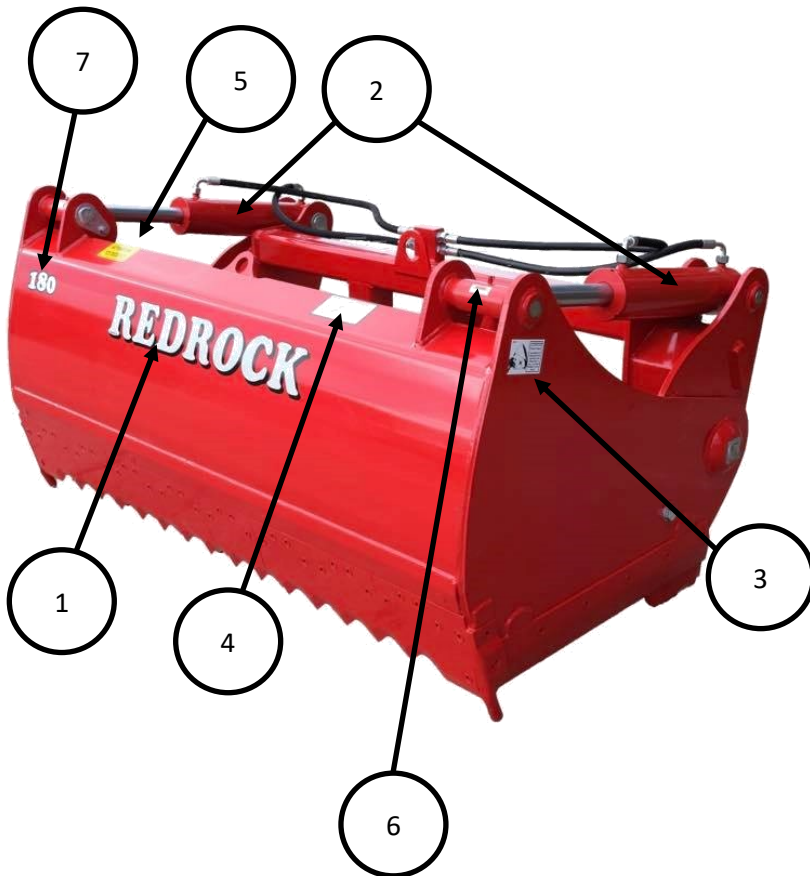
EMAIL – david.ferris@redrockmachinery.com

77 Redrock Road,
Collone, Armagh,
N. Ireland BT60 2BL

Tel – 0044 28 3755 2390
Web – www.redrockmachinery.com

Blockcutter Range

85 Series 2 Ram Stickers



ITEM NO.	PART NO.	PHOTO	QTY
1	800041-01		1
2	8000311-00		2
3	800029		1
4	8000295		1
5	800003		1
6	800021		6
7		Model Identification Sticker	1
	8000011		
	8000012		
	8000016		
	8000017		
	8000013		

CONTACT – 0044 (0) 2837 552390

EMAIL – david.ferris@redrockmachinery.com

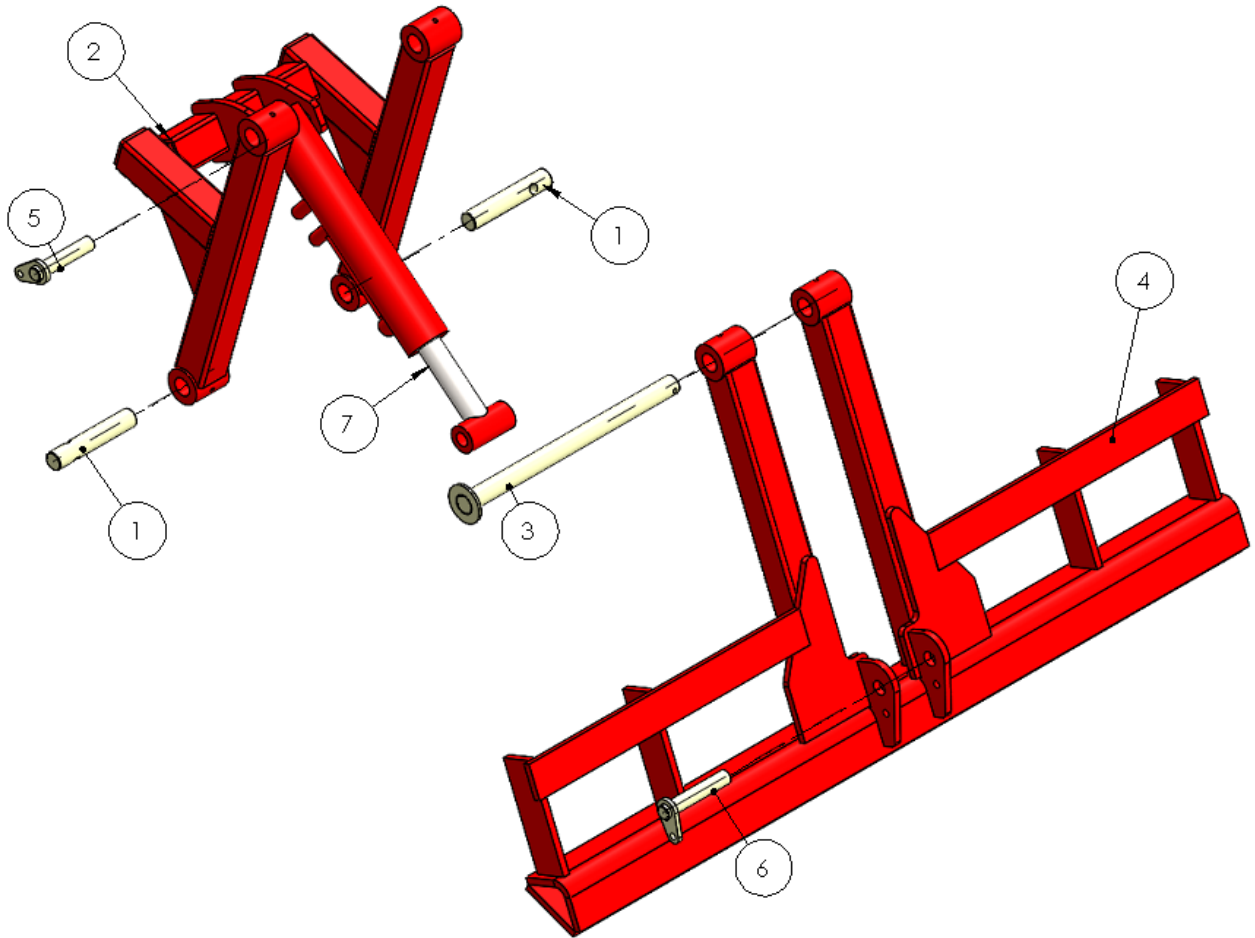


77 Redrock Road,
Collone, Armagh,
N. Ireland BT60 2BL

Tel – 0044 28 3755 2390
Web – www.redrockmachinery.com

Blockcutter Range

85 Series 2 Ram Push Off



ITEM NO.	PART NO.	DESCRIPTION	QTY.
1	1102140-00	Push-Off Bottom Pivot Pin	2
2	11378555-02	85 & 100 Push off -Back	1
3	11378565-00	85 & 100 Push Off- Top Pin Assem	1
4	11378545-00	137/85 Push Off Blade	1
	11578545-00	157/85 Push Off Blade	1
	11808545-00	180/85 Push Off Blade	1
	12008545-00	200/85 Push Off Blade	1
	12188545-00	218/85 Push Off Blade	1
5	11608590-00	85 & 100 Push Off- Back Ram Pin	1
6	11608595-00	85 & 100 Push Offs- Front Ram Pin	1
7	HC10070-2	Push Off Ram	1

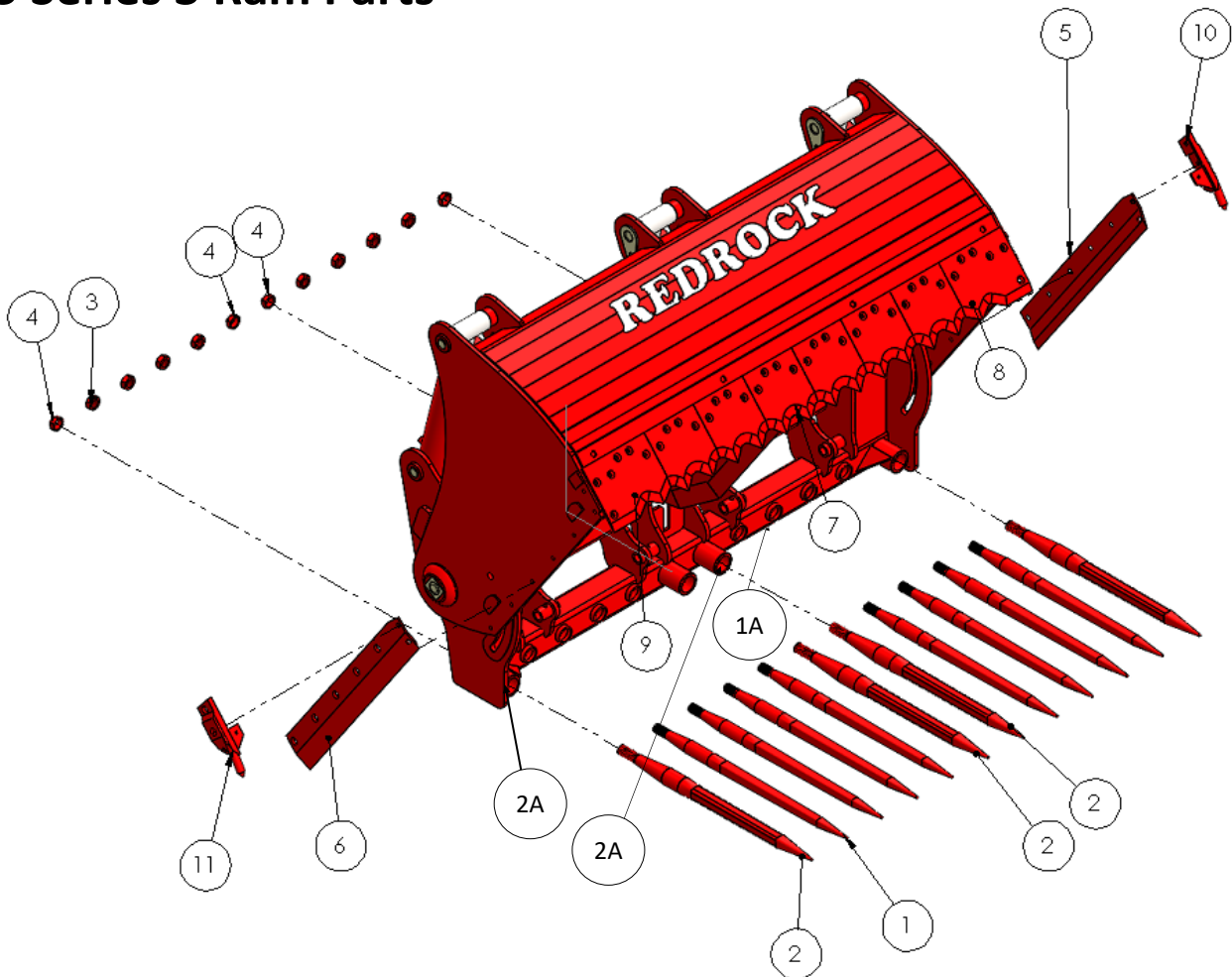
CONTACT –0044 (0) 2837 552390

EMAIL – david.ferris@redrockmachinery.com



Blockcutter Range

85 Series 3 Ram Parts



ITEM NO.	PART NO.	DESCRIPTION	QTY.
1	100082	820mm K2 HD SQ Tine	See page 15
1A	100018	Conus 2 Large Tine Bush	See page 15
2	1000821	820mm K3 HD SQ Tine	4
2A	100020-00	K3 HD Tine Bush	4
3	1000822	M28 Tine nut	See page 15
4	1000829	M30 Tine Nut	4
5	100083L	LH Silage Knife	1
6	100083R	Silage Knife RH	1
7	1000851	210mm Front Blade	See page 15
8	1000865L	265mm Front Left Blade	1
9	1000865R	265mm Front Right Blade	1
10	100088L	LH Bolt on Stop Point	1
11	100088R	RH Bolt on Stop Point	1

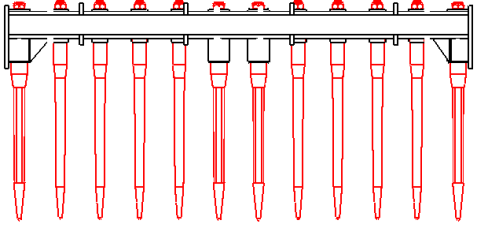
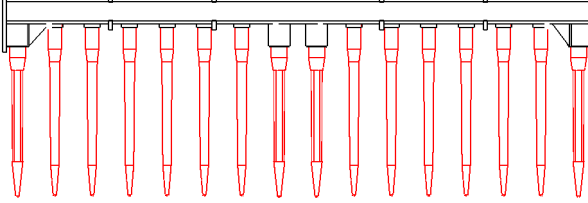
CONTACT –0044 (0) 2837 552390

EMAIL – david.ferris@redrockmachinery.com





Blockcutter Range

85 Series 3 Ram Tines

<p>180-85 3RAM</p>		<p>8x100082 820mm K2 HD SQ Tine 4x1000821 820mm K3 HD SQ Tine</p>
<p>218-85 3RAM</p>		<p>12x100082 820mm K2 HD SQ Tine 4x1000821 820mm K3 HD SQ Tine</p>

85 Series 3 Ram Blades

The amount of front blades depends on the model as they get wider more of the blade 7 (100851) gets added. Refer to this table to know the quantity required for your model:

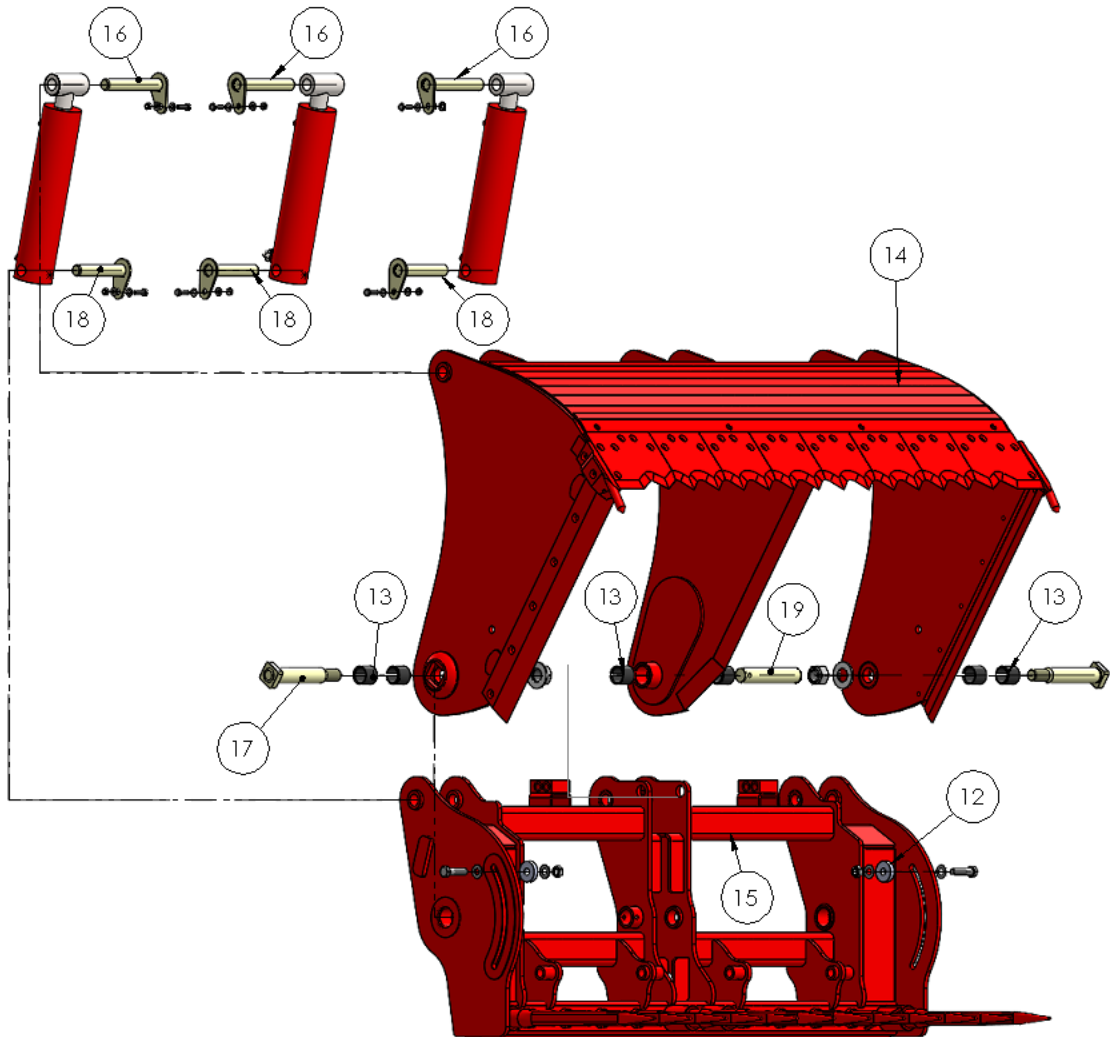
<p>180-85 3RAM</p>		<p>6x 1000851 36x FA11211—M12x25 SKT CSK</p>
<p>218-85 3RAM</p>		<p>8x 1000851 44x FA11211</p>

77 Redrock Road,
Collone, Armagh,
N. Ireland BT60 2BL

Tel – 0044 28 3755 2390
Web – www.redrockmachinery.com

Blockcutter Range

85 Series 3 Ram Pins



ITEM NO.	PART NO.	DESCRIPTION	QTY.
12	106684-00	85 Series 62mm Wear Washer	2
13	1090905	EG 45/55x50mm Steel Bush	6
14		Blockcutter Front Assembly	1
	11808513-00	180-85 3 RAM Blockcutter Front Assembly	
	12188513-00	218-85 3RAM Blockcutter Front Assembly	
15		Blockcutter Back Assembly	1
	11808523-00	180-85 3 RAM Blockcutter Back Assembly	
	12188523-00	218-85 3RAM Blockcutter Back Assembly	
16	1851105-01	85 Series Front ram pin	3
17	1851110-00	85 & 100 Series Main Hinge Pin	2
18	1852100-01	85 Series Rear ram pin	3
19	1852145-00	85-3 Centr Hinge Pin	1

CONTACT –0044 (0) 2837 552390

EMAIL – david.ferris@redrockmachinery.com

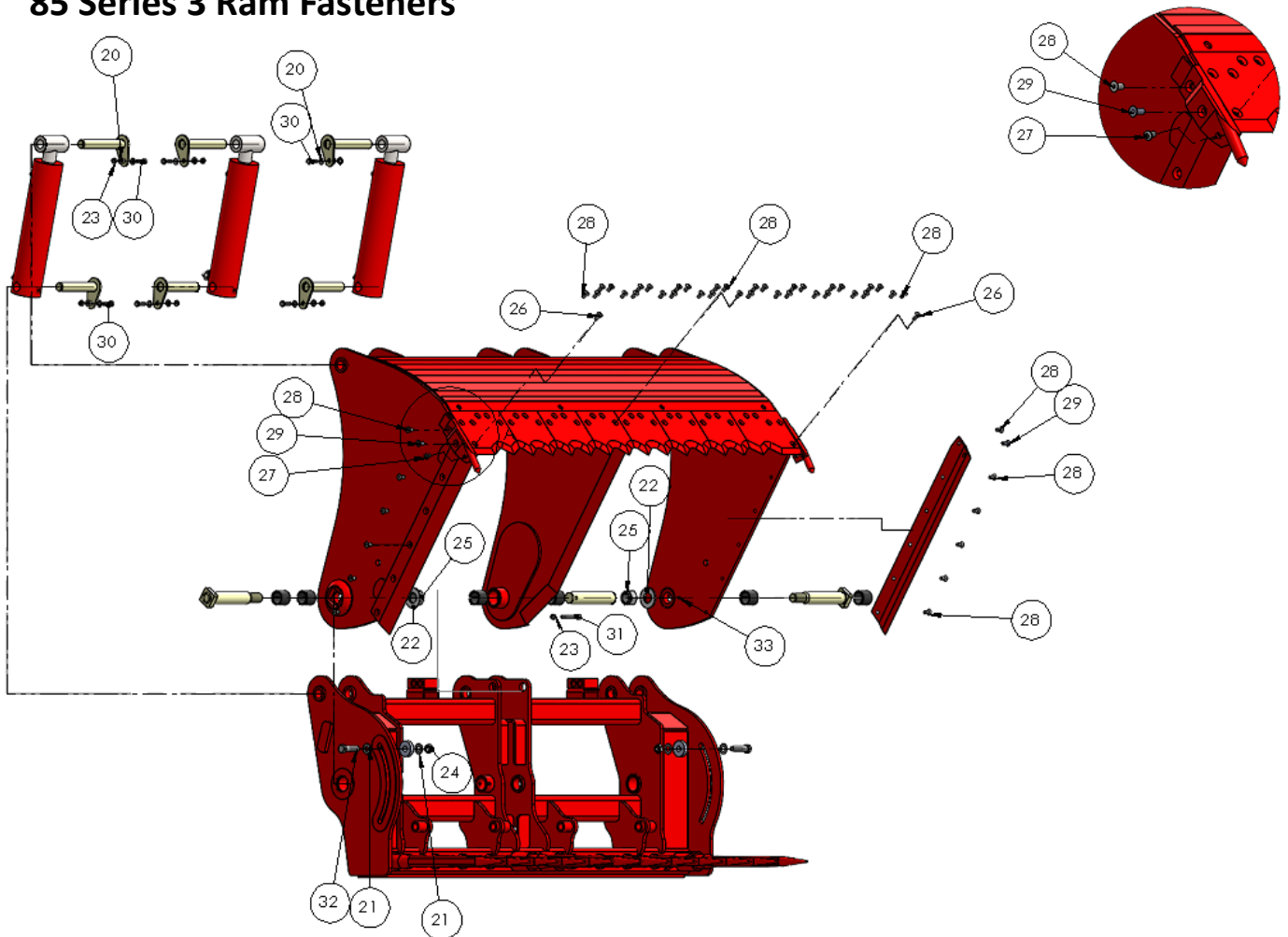


77 Redrock Road,
Collone, Armagh,
N. Ireland BT60 2BL

Tel – 0044 28 3755 2390
Web – www.redrockmachinery.com

Blockcutter Range

85 Series 3 Ram Fasteners



ITEM NO.	PART NO.	DESCRIPTION	QTY.
20	FA00125	M12 Washer	13
21	FA00150P	3/4 WASHER PLATED(19.05)	4
22	FA00230	1 1/2" Washer Plated (38.10)	2
23	FA02040P	M12 Lock Nut	6
24	FA02060P	M20 NYLOC Nut Plated	2
25	FA02090	M36 Nyloc Nut	2
26	FA11205	M12 x 18 SS CSK	2
27	FA11206	M12 Socket Button Head Screw Plated	2
28	FA11211	M12x25 SKT CSK	See page 15
29	FA11216	M12x030 SKT CSK SC PL	2
30	FA11220P	M12x40 Set Screw Plated	6
31	FA11245	M12x90 Hexagon Bolt Plated	1
32	FA12025	M20x80 Hexagon Bolt Plated	2
33	FA18110	M6 Straight Grease Nipple	3

CONTACT –0044 (0) 2837 552390

EMAIL – david.ferris@redrockmachinery.com

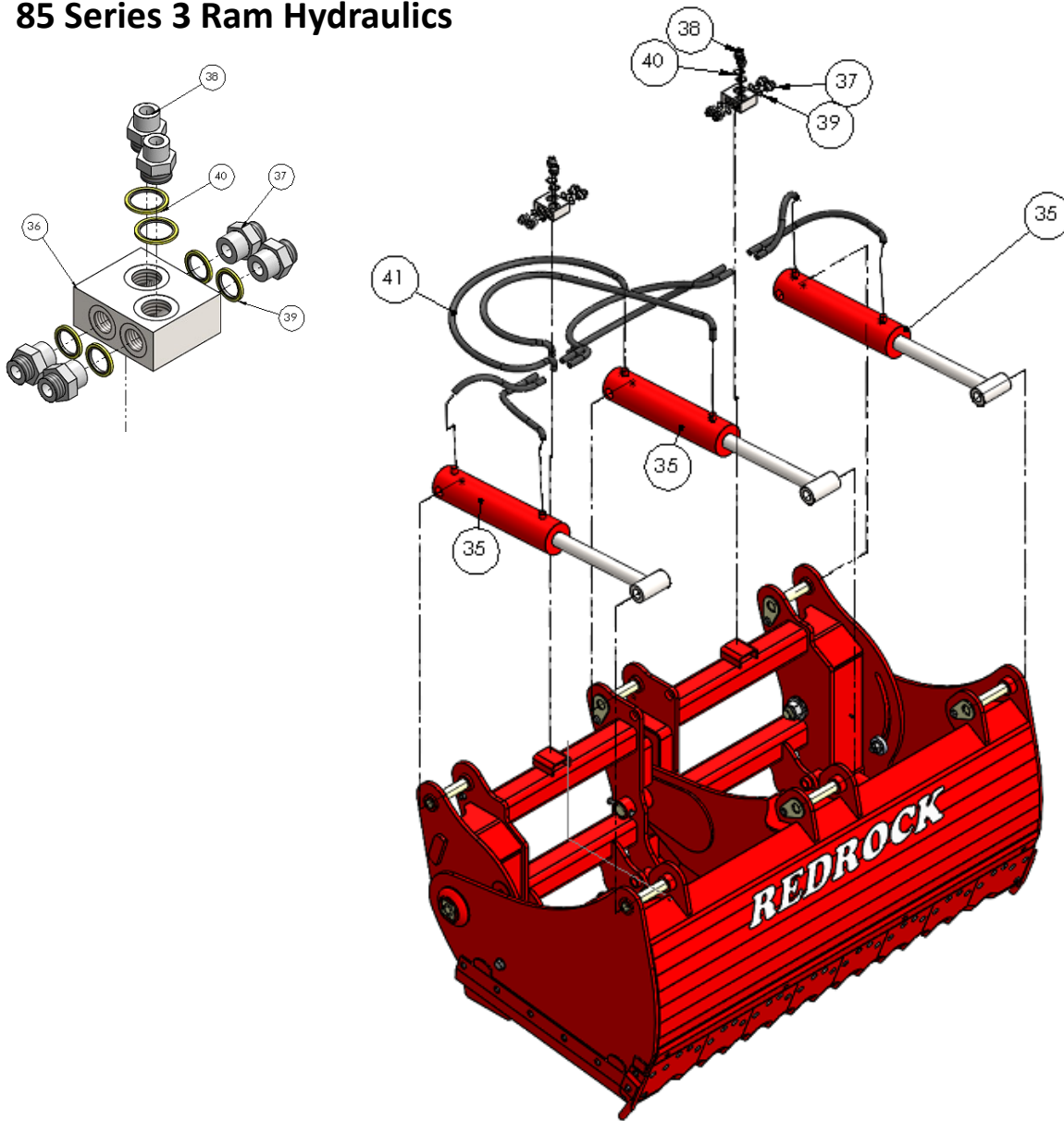


77 Redrock Road,
Collone, Armagh,
N. Ireland BT60 2BL

Tel – 0044 28 3755 2390
Web – www.redrockmachinery.com

Blockcutter Range

85 Series 3 Ram Hydraulics



ITEM NO.	PART NO.	DESCRIPTION	QTY.
35	HC100230-00	100mm/50mm Hydraulic Ram Type 2	2
36	HY04600-01	Machined Twin Tee Weld-on	2
37	HY05540	M24-M22 Male Adapter	8
38	HY05680	M26-M22 Male Adapter	4
39	HY10110	M22 Dowty Seal	8
40	HY10115	M26 Dowty Seal	4
41	See Page 19	Hose Kit	1

CONTACT – 0044 (0) 2837 552390

EMAIL – david.ferris@redrockmachinery.com



Blockcutter Range

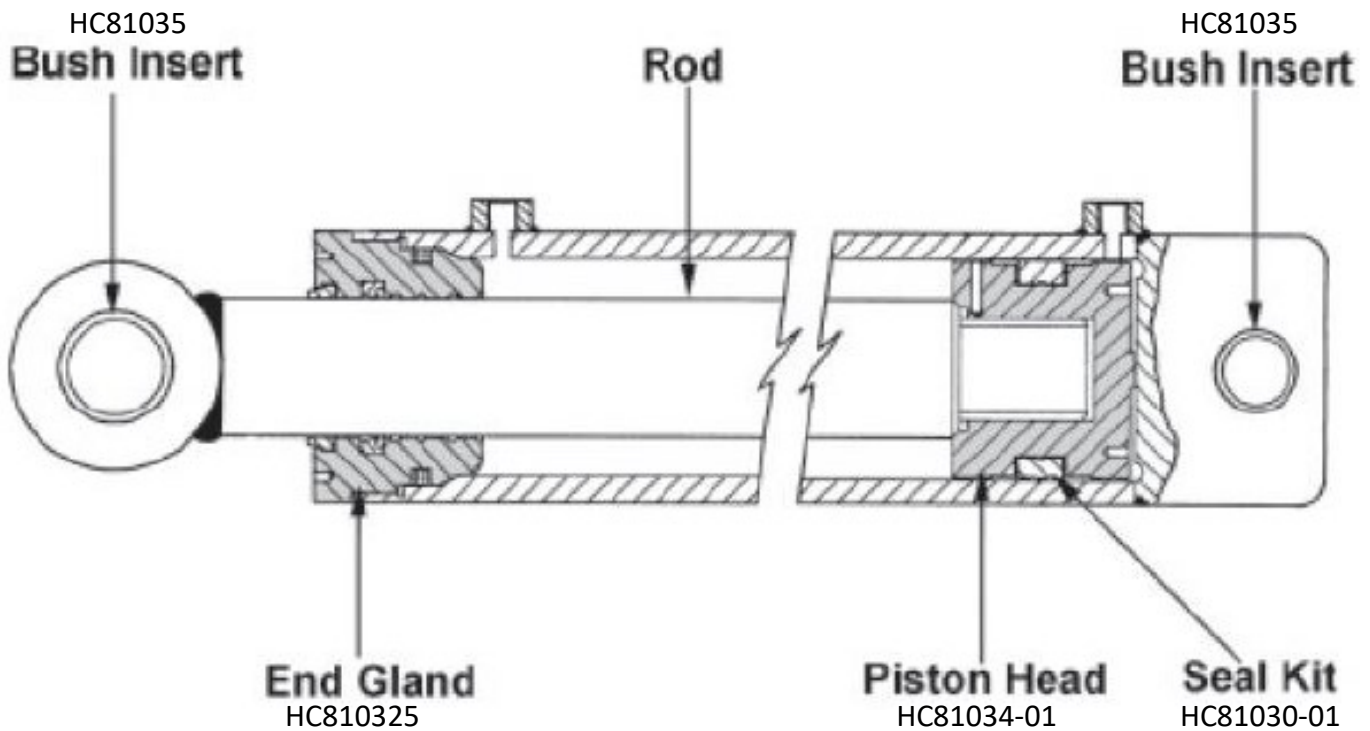
85 Series 3 Ram Hydraulics

Hose Kits

Model	Kit Number
180-85 3 RAM	100092
218-85 3 RAM	113092

85 Series Ram

Part Number: HC100230-00



CONTACT –0044 (0) 2837 552390



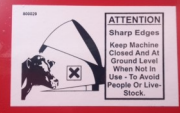
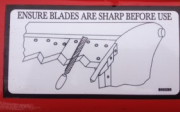




EMAIL – david.ferris@redrockmachinery.com

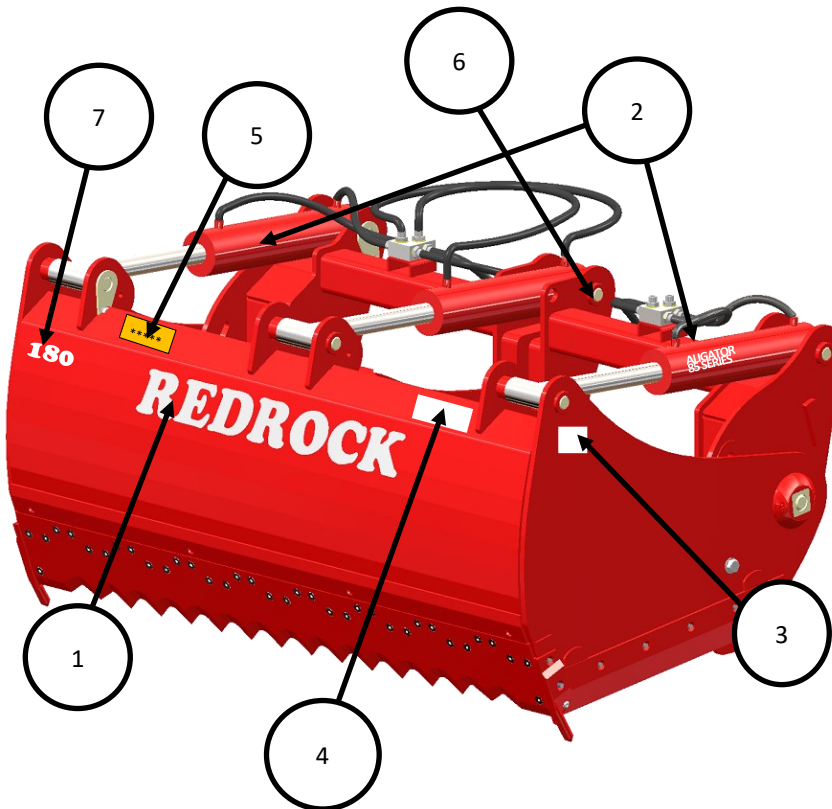
77 Redrock Road,
Collone, Armagh,
N. Ireland BT60 2BL

Tel – 0044 28 3755 2390
Web – www.redrockmachinery.com

Blockcutter Range

85 Series 3 Ram Stickers

ITEM NO.	PART NO.	PHOTO	QTY
1	800041-01		1
2	8000311-00		2
3	800029		1
4	8000295		1
5	800003		1
6	800021		9
7		Model Identification Sticker	1
	8000016		
	8000013		



CONTACT – 0044 (0) 2837 552390

EMAIL – david.ferris@redrockmachinery.com

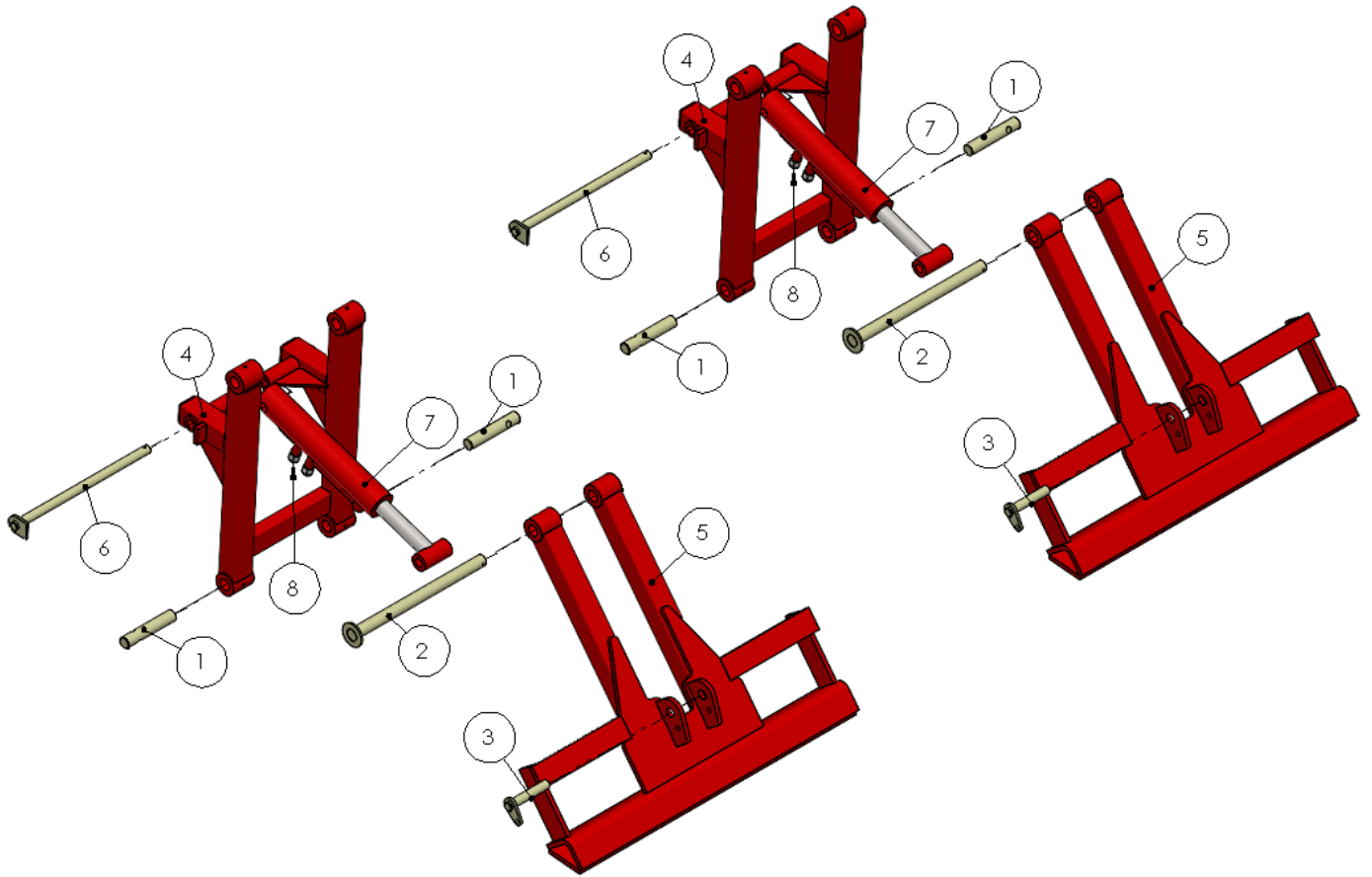


77 Redrock Road,
Collone, Armagh,
N. Ireland BT60 2BL

Tel – 0044 28 3755 2390
Web – www.redrockmachinery.com

Blockcutter Range

85 Series 3 Ram Push Off



ITEM NO.	PART NO.	DESCRIPTION	QTY.
1	1102140-00	Push-Off Bottom Pivot Pin	4
2	11378565-00	85 & 100 Push Off- Top Pin Assem	2
3	11608595-00	85 & 100 Push Offs- Front Ram Pin	2
4	121885335-00	85 & 100 Push off -Back	2
5	118085345-00	180/85/3 Push Off Blade	2
	121885345-00	218/85/3 Push Off Blade	2
6	121885355-00	85 & 100 Push Offs- Front Ram Pin	2
7	HC10070-2	Push Off Ram	2
8	HY03130	M18 90o - 1/4" Hose	4

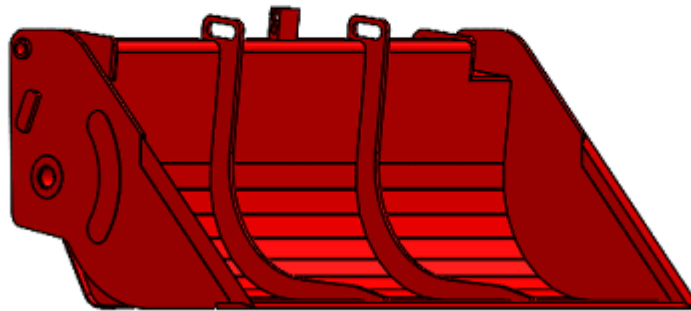
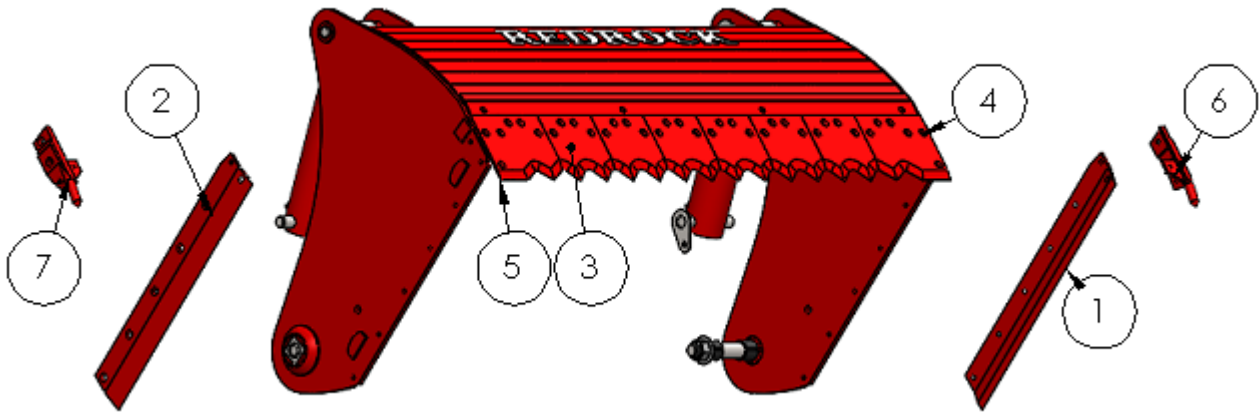
CONTACT –0044 (0) 2837 552390

EMAIL – david.ferris@redrockmachinery.com



Blockcutter Range

85 Series All Round Parts



ITEM NO.	PART NO.	DESCRIPTION	QTY.
1	100083L	LH Silage Knife	1
2	100083R	Silage Knife RH	1
3	1000851	210mm Front Blade	See Page 22
4	1000865L	265mm Front Left Blade	1
5	1000865R	265mm Front Right Blade	1
6	100088L	LH Bolt on Stop Point	1
7	100088R	RH Bolt on Stop Point	1

CONTACT –0044 (0) 2837 552390

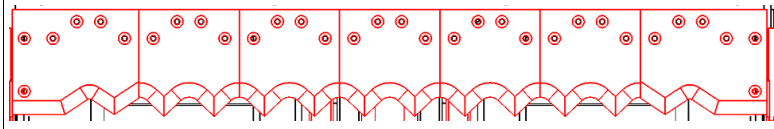
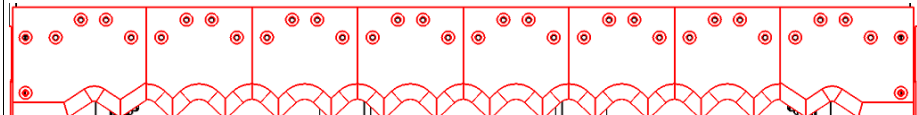
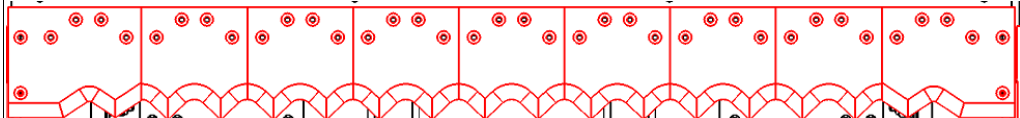
EMAIL – david.ferris@redrockmachinery.com



Blockcutter Range

85 Series All Round Blades

The amount of front blades depends on the model as they get wider more of the blade 7 (100851) gets added.
 Refer to this table to know the quantity required for your model:

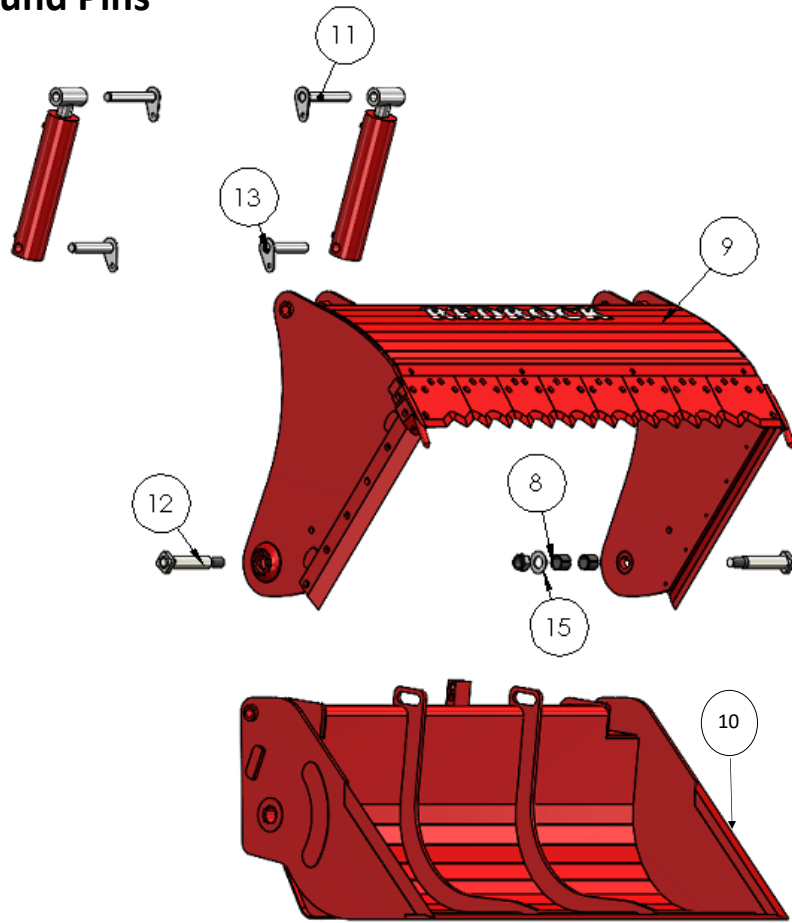
157-85		5x 100851- 210mm Front Blade 32x FA11211—M12x25 SKT CSK
180-85		6x 100851 36x FA11211
200-85		7x 100851 40x FA11211

77 Redrock Road,
Collone, Armagh,
N. Ireland BT60 2BL

Tel – 0044 28 3755 2390
Web – www.redrockmachinery.com

Blockcutter Range

85 Series All Round Pins



ITEM NO.	PART NO.	DESCRIPTION	QTY.
8	1090905	EG 45/55x50mm Steel Bush	4
9		Blockcutter Front Assembly	1
	11578510-00	157-85 Blockcutter Front Assembly	
	11808510-00	180-85 Blockcutter Front Assembly	
	12008510-00	200-85 Blockcutter Front Assembly	
10		Bucket Assembly	1
	11578530-00	157-85 Bucket Assembly	
	11808530-00	180-85 Bucket Assembly	
	12008530-00	200-85 Bucket Assembly	
11	1851105-01	85 Series Front ram pin	2
12	1851110-00	85 & 100 Series Main Hinge Pin	2
13	1852100-01	85 Series Rear ram pin	2

CONTACT –0044 (0) 2837 552390

EMAIL – david.ferris@redrockmachinery.com

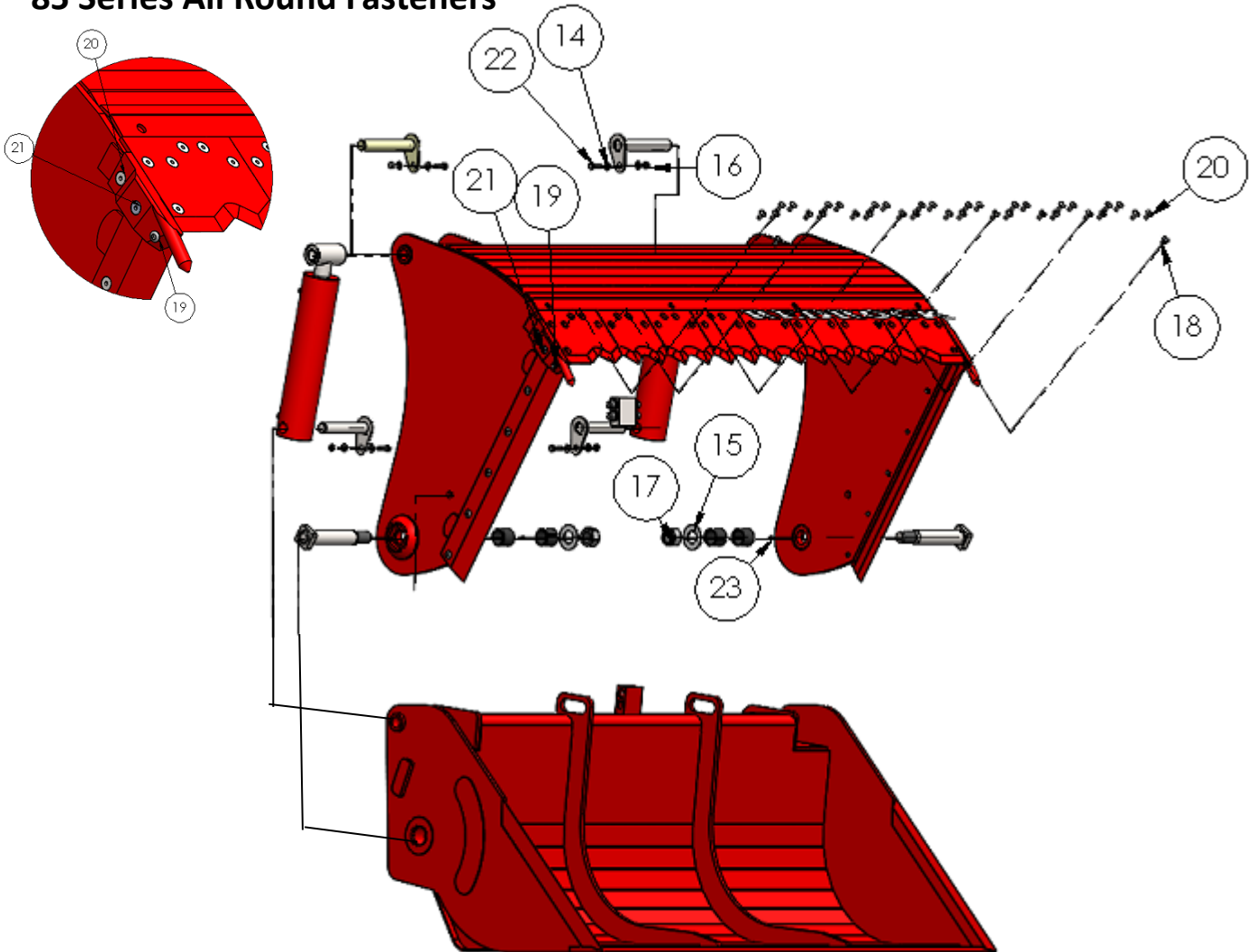


77 Redrock Road,
Collone, Armagh,
N. Ireland BT60 2BL

Tel – 0044 28 3755 2390
Web – www.redrockmachinery.com

Blockcutter Range

85 Series All Round Fasteners



ITEM NO.	PART NO.	DESCRIPTION	QTY.
14	FA00125	M12 Washer	8
15	FA00230	1 1/2" Washer Plated (38.10)	2
16	FA02040P	M12 Lock Nut	4
17	FA02090	M36 Nyloc Nut	2
18	FA11205	M12 x 18 SS CSK	1
19	FA11206	M12 Socket Button Head Screw Plated	2
20	FA11211	M12x25 SKT CSK	See page 22
21	FA11216	M12x030 SKT CSK SC PL	2
22	FA11220P	M12x40 Set Screw Plated	4
23	FA18110	M6 Straight Grease Nipple	2

CONTACT –0044 (0) 2837 552390

EMAIL – david.ferris@redrockmachinery.com



77 Redrock Road,
Collone, Armagh,
N. Ireland BT60 2BL

Tel – 0044 28 3755 2390
Web – www.redrockmachinery.com

Blockcutter Range

85 Series All Round Hydraulics

CONTACT – 0044 (0) 2837 552390

EMAIL – david.ferris@redrockmachinery.com



Blockcutter Range

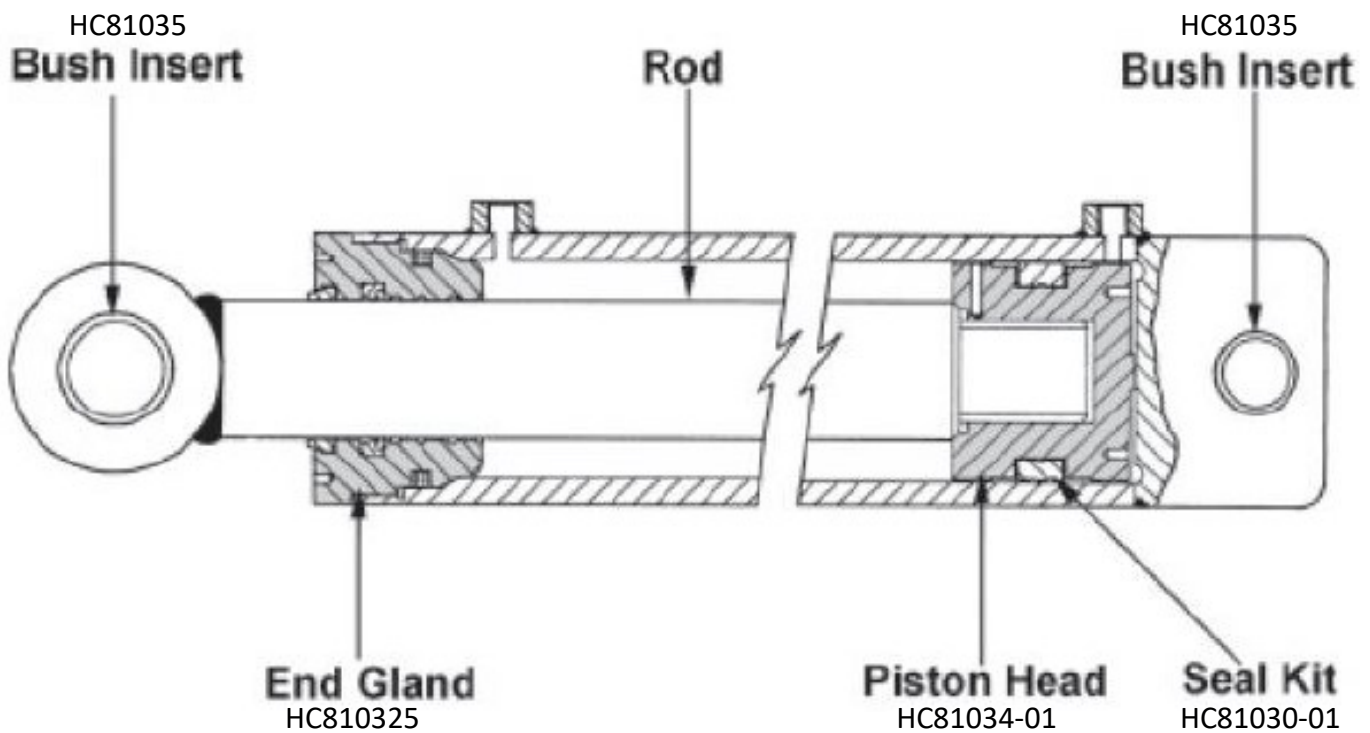
85 Series All Round Hydraulics

Hose Kits

Model	Kit Number
157-85	101092
180-85	114092
200-85	110092

85 Series Ram

Part Number: HC100230-00



CONTACT –0044 (0) 2837 552390

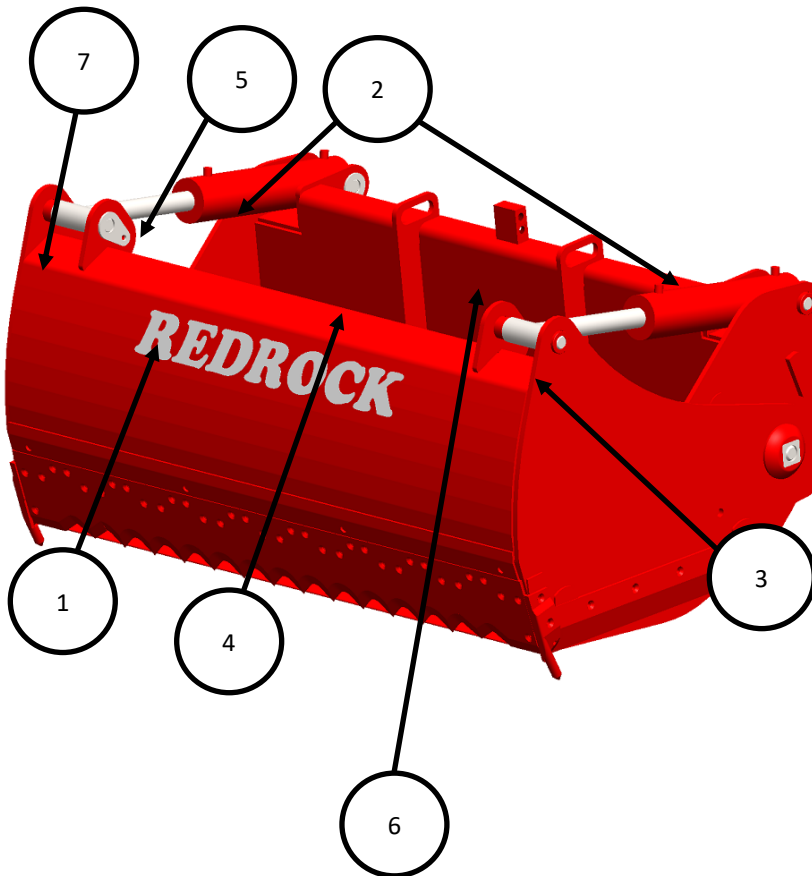
EMAIL – david.ferris@redrockmachinery.com

77 Redrock Road,
Collone, Armagh,
N. Ireland BT60 2BL

Tel – 0044 28 3755 2390
Web – www.redrockmachinery.com

Blockcutter Range

85 Series All Round Stickers



ITEM NO.	PART NO.	PHOTO	QTY
1	800041-01		1
2	8000315-00		2
3	800029		1
4	8000295		1
5	800003		1
6	800021		6
7		Model Identification Sticker	1
	8000012		
	8000016		
	8000017		

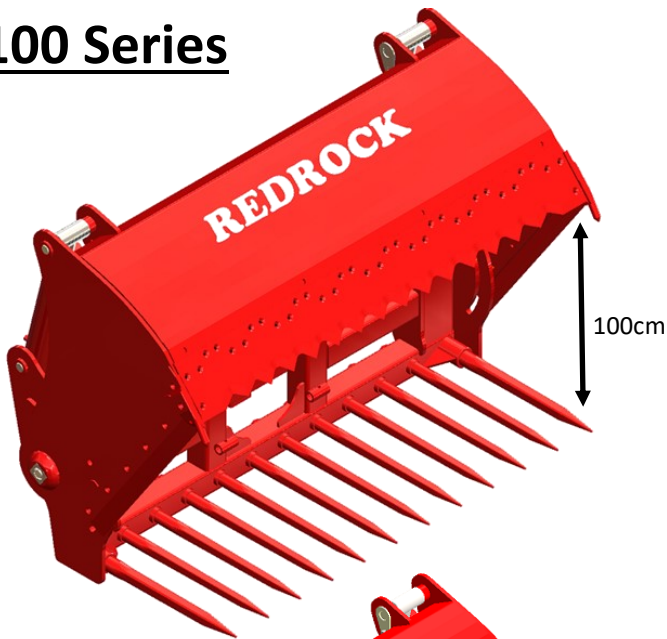
CONTACT – 0044 (0) 2837 552390

EMAIL – david.ferris@redrockmachinery.com

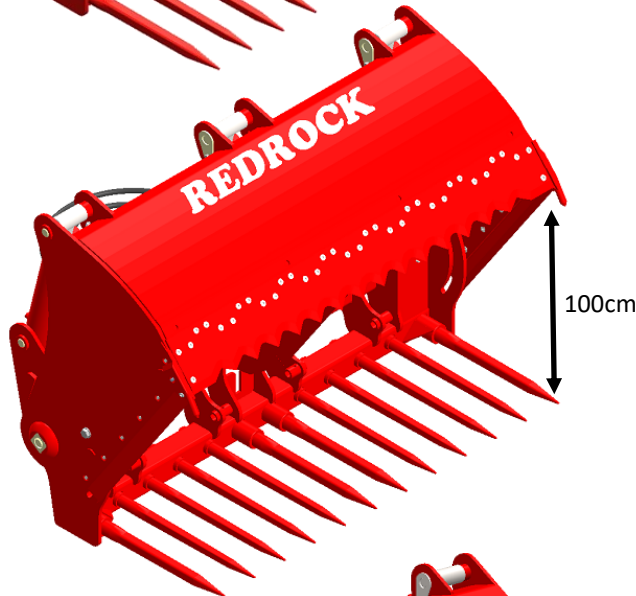


Blockcutter Range

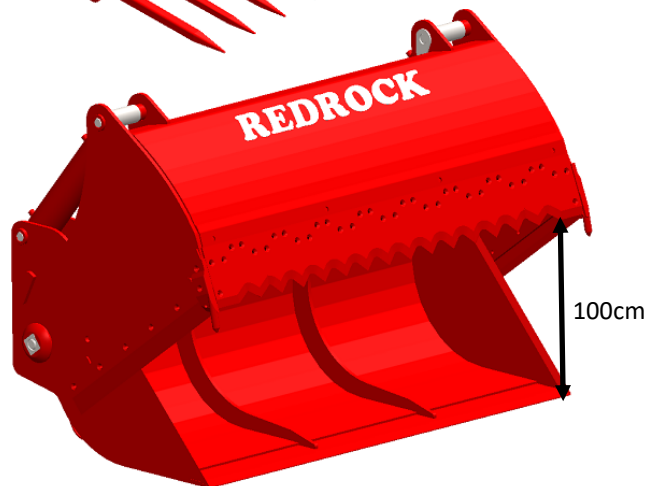
100 Series



180-100
200-100
240-100



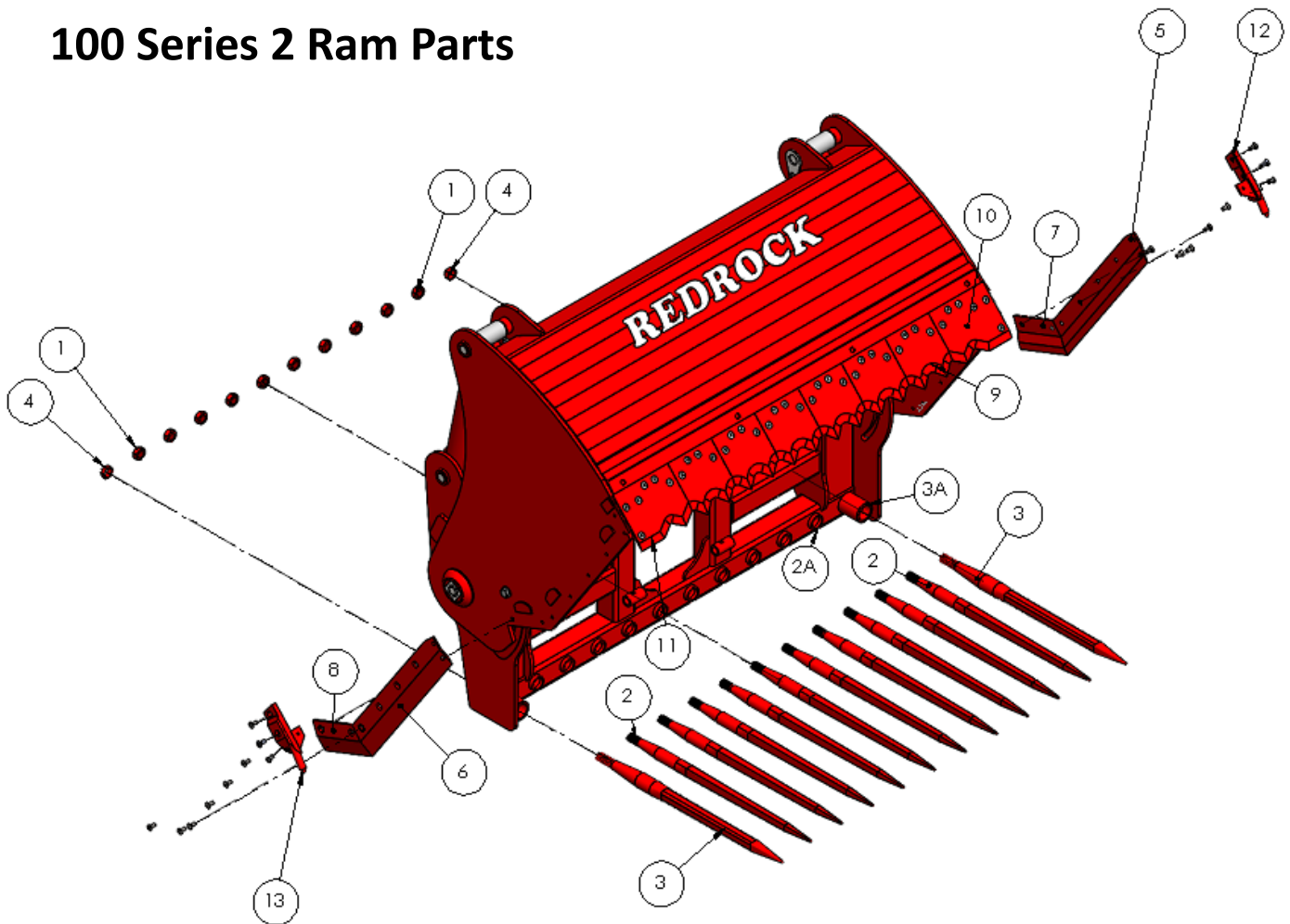
240-100 3RAM



200-100 AR
240-100 AR

Blockcutter Range

100 Series 2 Ram Parts



ITEM NO.	PART NO.	DESCRIPTION	QTY.
1	1000822	M28 Tine nut	See page 30
2	1000826	890mm K2 HD SQ Tine	See page 30
2A	100018	Conus 2 Large Tine Bush	See page 30
3	1000828	890mm K3 SH SQ Tine	2
3A	100020-00	K3 HD Tine Bush	2
4	1000829	M30 Tine Nut	2
5	1000836L	Tele Long Side Blade LHS	1
6	1000836R	Tele Long Side Blade RHS	1
7	1000837L	Tele Short Side Blade LHS	1
8	1000837R	Tele Short Side Blade RHS	1
9	1000851	210mm Front Blade	See page 30
10	1000865L	265mm Front Left Blade	1
11	1000865R	265mm Front Right Blade	1
12	100088L	LH Bolt on Stop Point	1
13	100088R	RH Bolt on Stop Point	1

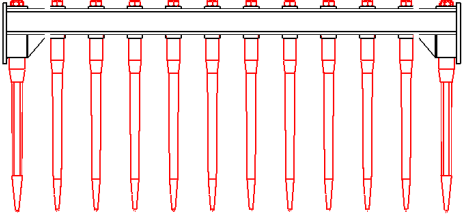
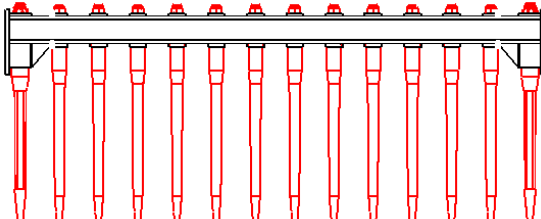
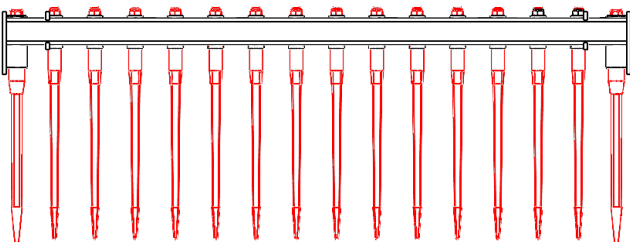
CONTACT – 0044 (0) 2837 552390

EMAIL – david.ferris@redrockmachinery.com



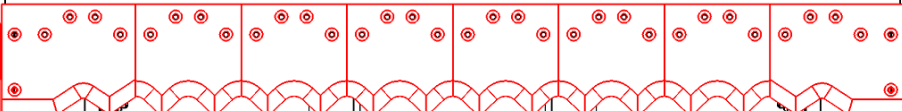
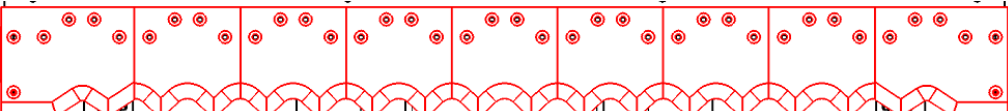
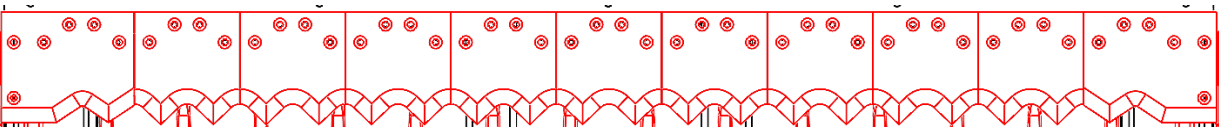
Blockcutter Range

100 Series 2 Ram Tines

180-100		<p>10x100086 890mm K2 HD SQ Tine 2x1000828 890mm K3 HD SQ Tine</p>
200-100		<p>12x100086 890mm K2 HD SQ Tine 2x1000828 890mm K3 HD SQ Tine</p>
240-100		<p>13x100086 890mm K2 HD SQ Tine 2x1000828 890mm K3 HD SQ Tine</p>

100 Series 2 Ram Blades

The amount of front blades depends on the model as they get wider more of the blade 7 (100851) gets added.
 Refer to this table to know the quantity required for your model:

180-100		<p>6x 1000851 36x FA11211</p>
200-100		<p>7x 1000851 40x FA11211</p>
240-100		<p>9x 1000851 48x FA11211</p>

CONTACT –0044 (0) 2837 552390

EMAIL – david.ferris@redrockmachinery.com

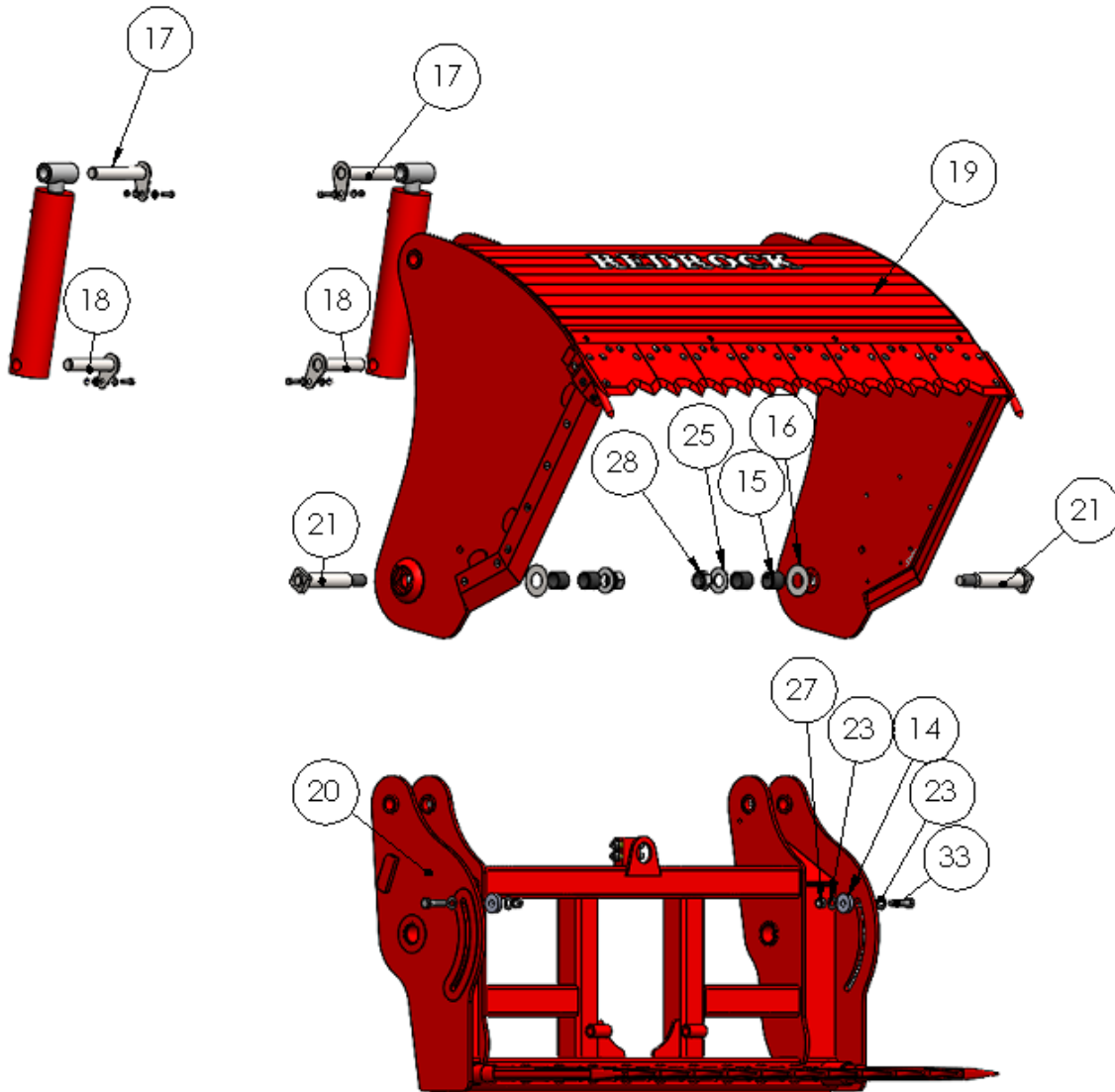


77 Redrock Road,
Collone, Armagh,
N. Ireland BT60 2BL

Tel – 0044 28 3755 2390
Web – www.redrockmachinery.com

Blockcutter Range

100 Series 2 Ram Pins



ITEM NO.	PART NO.	DESCRIPTION	QTY.
14	106684-00	85 Series 62mm Wear Washer	2
15	1090905	EG 45/55x50mm Steel Bush	4
16	109092-00	85 & 100 Series Spacer	2
17	11301100-01	100 & 130 series front ram pin	2
18	11302100-01	100 & 130 series rear ram pin	2
19		Blockcutter Front Assembly	1
	118010010-00	180-100 Blockcutter Front Assembly	
	120010010-00	200-100 Blockcutter Front Assembly	
	124010010-00	240-100 Blockcutter Front Assembly	

CONTACT –0044 (0) 2837 552390

EMAIL – david.ferris@redrockmachinery.com

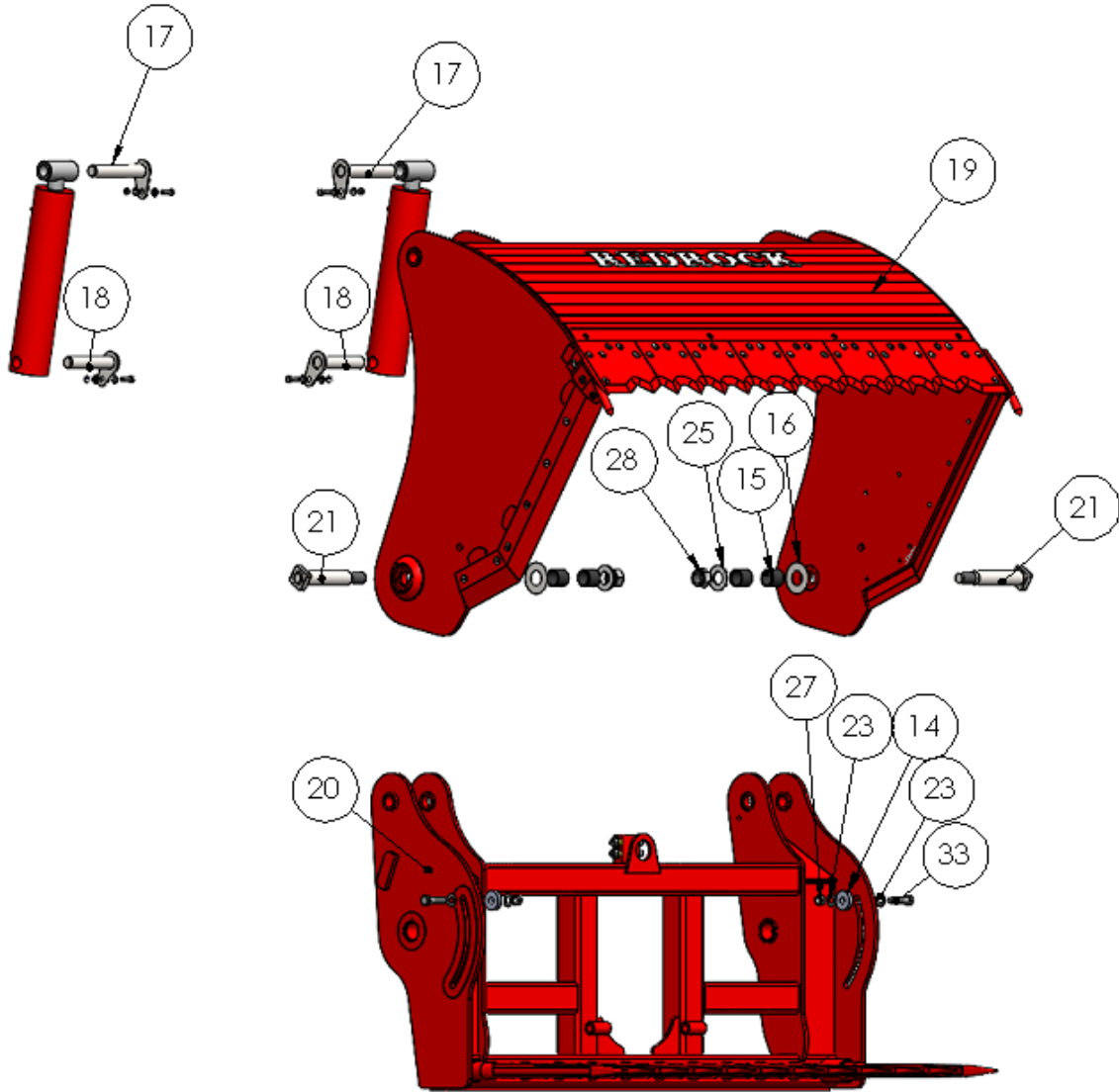


77 Redrock Road,
Collone, Armagh,
N. Ireland BT60 2BL

Tel – 0044 28 3755 2390
Web – www.redrockmachinery.com

Blockcutter Range

100 Series 2 Ram Pins



ITEM NO.	PART NO.	DESCRIPTION	QTY.
20		Blockcutter Back Assembly	1
	118010020-00	180-100 Blockcutter Back Assembly	
	120010020-00	200-100 Blockcutter Back Assembly	
	124010020-00	240-100 Blockcutter Back Assembly	
21	1851110-00	85 & 100 Series Main Hinge Pin	2

CONTACT –0044 (0) 2837 552390

EMAIL – david.ferris@redrockmachinery.com

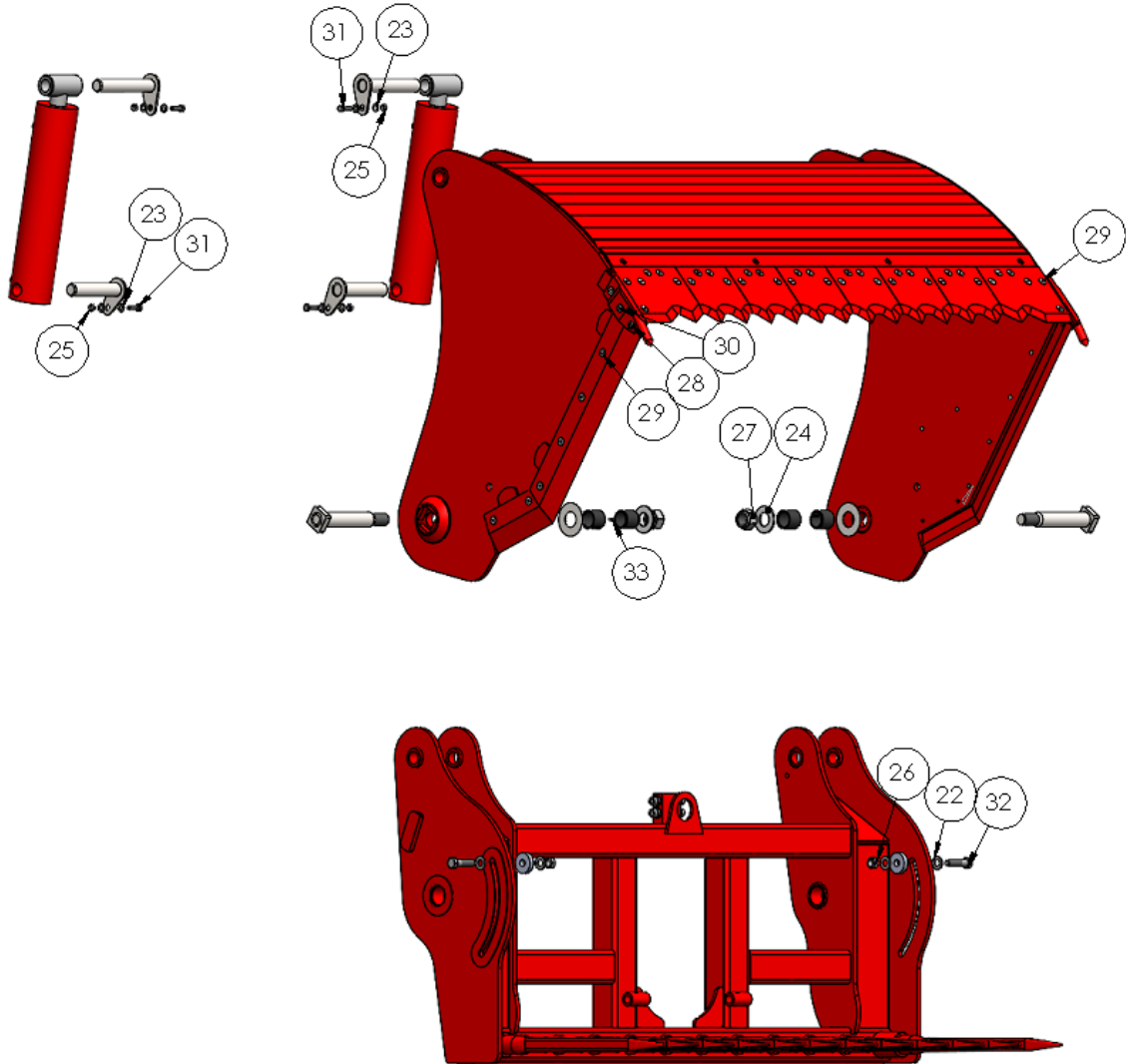


77 Redrock Road,
Collone, Armagh,
N. Ireland BT60 2BL

Tel – 0044 28 3755 2390
Web – www.redrockmachinery.com

Blockcutter Range

100 Series 2 Ram Fasteners



ITEM NO.	PART NO.	DESCRIPTION	QTY.
22	FA00150P	3/4 WASHER PLATED(19.05)	4
23	FA00125	M12 Washer	8
24	FA00230	1 1/2" Washer Plated (38.10)	2
25	FA02040P	M12 Lock Nut	4
26	FA02060P	M20 NYLOC Nut Plated	2
27	FA02090	M36 Nyloc Nut	2
28	FA11206	M12 Socket Button Head Screw Plated	2
29	FA11211	M12x25 SKT CSK	See Page 30
30	FA11216	M12x030 SKT CSK SC PL	3
31	FA11220P	M12x40 Set Screw Plated	4
32	FA12025	M20x80 Hexagon Bolt Plated	2
33	FA18110	M6 Straight Grease Nipple	1

CONTACT –0044 (0) 2837 552390

EMAIL – david.ferris@redrockmachinery.com

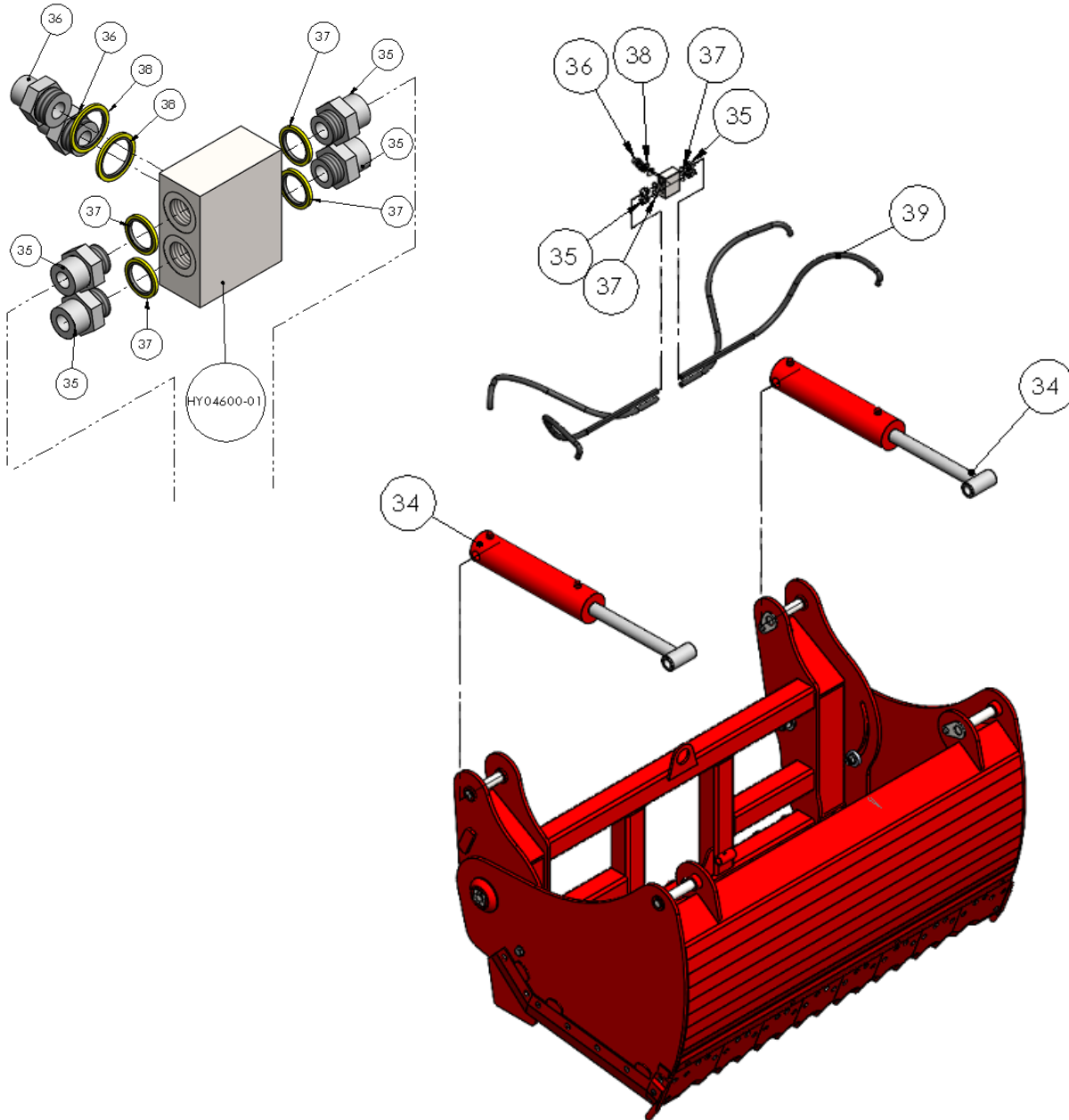


77 Redrock Road,
Collone, Armagh,
N. Ireland BT60 2BL

Tel – 0044 28 3755 2390
Web – www.redrockmachinery.com

Blockcutter Range

100 Series 2 Ram Hydraulics



ITEM NO.	PART NO.	DESCRIPTION	QTY.
34	HC10027	4.5"x50mm Ram Type 4	2
35	HY05540	M24-M22 Male Adapter	4
36	HY05680	M26-M22 Male Adapter	2
37	HY10110	M22 Dowty Seal	4
38	HY10115	M26 Dowty Seal	2
39	See page 35	Hose Kit	1

CONTACT –0044 (0) 2837 552390

EMAIL – david.ferris@redrockmachinery.com



Blockcutter Range

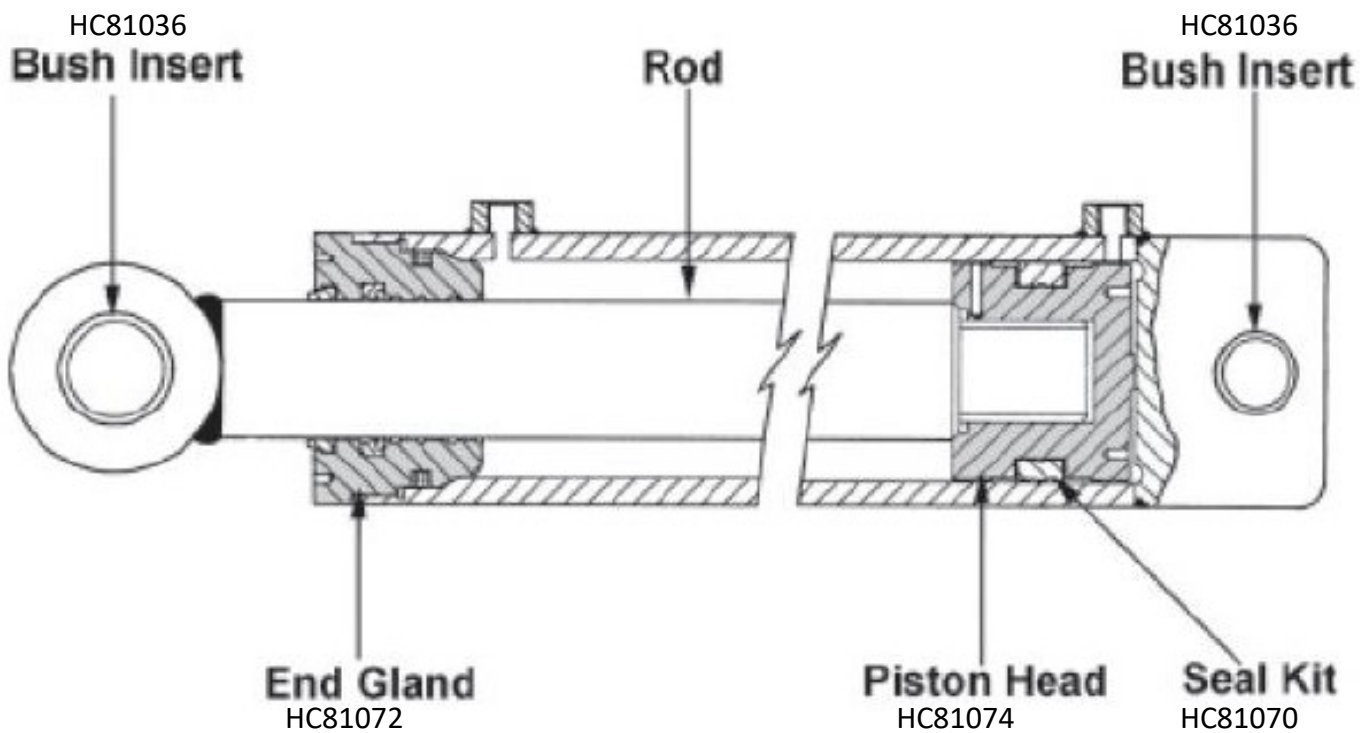
100 Series 2 Ram Hydraulics

Hose Kits

Model	Kit Number
180-100	110092
200-100	110092
240-100	

100 Series Ram

Part Number: HC10027



CONTACT –0044 (0) 2837 552390

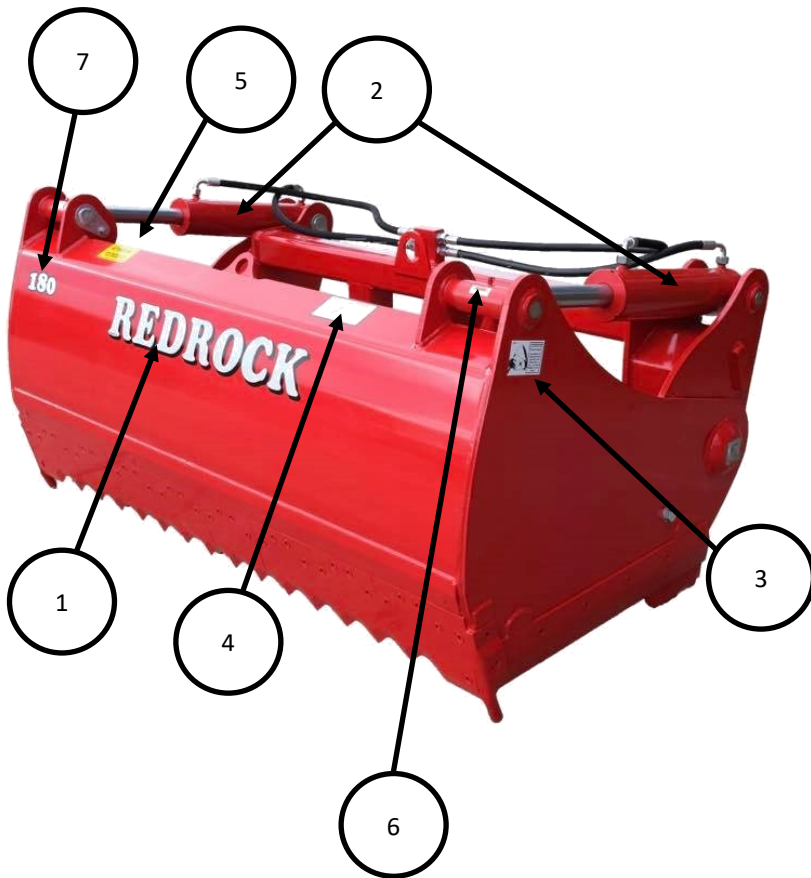
EMAIL – david.ferris@redrockmachinery.com

77 Redrock Road,
Collone, Armagh,
N. Ireland BT60 2BL

Tel – 0044 28 3755 2390
Web – www.redrockmachinery.com

Blockcutter Range

100 Series 2 Ram Stickers



ITEM NO.	PART NO.	PHOTO	QTY
1	800041-01		1
2	8000315-00		2
3	800029		1
4	8000295		1
5	800003		1
6	800021		6
7		Model Identification Sticker	1
	8000016		
	8000017		
	8000018		

CONTACT – 0044 (0) 2837 552390

EMAIL – david.ferris@redrockmachinery.com

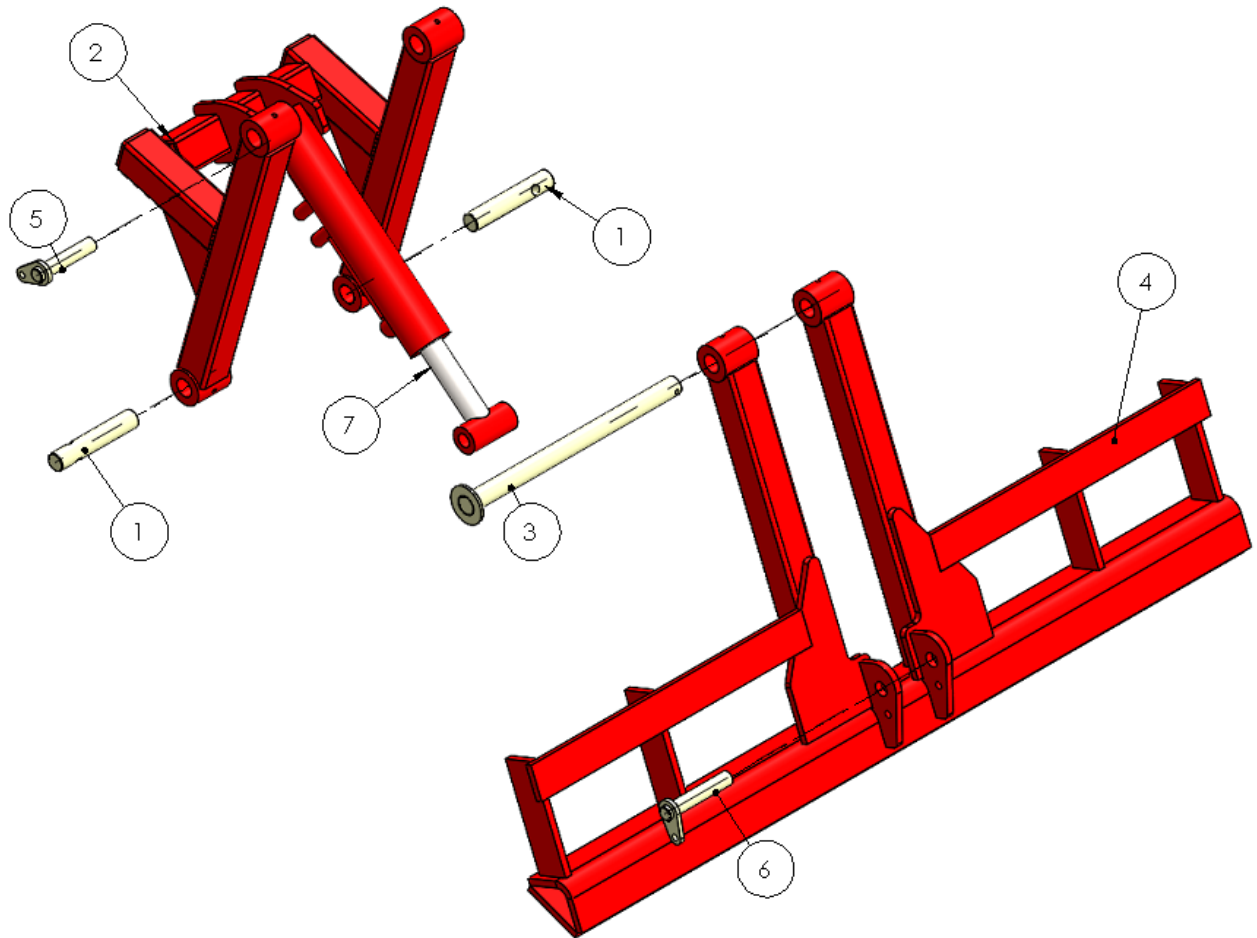


77 Redrock Road,
Collone, Armagh,
N. Ireland BT60 2BL

Tel – 0044 28 3755 2390
Web – www.redrockmachinery.com

Blockcutter Range

100 Series 2 Ram Push Off



ITEM NO.	PART NO.	DESCRIPTION	QTY.
1	1102140-00	Push-Off Bottom Pivot Pin	2
2	11378555-02	85 & 100 Push off -Back	1
3	11378565-00	85 & 100 Push Off- Top Pin Assem	1
4	11808545-00	180/85 Push Off Blade	1
	12008545-00	200/85 Push Off Blade	1
	12408545-00	240/85 Push Off Blade	1
5	11608590-00	85 & 100 Push Off- Back Ram Pin	1
6	11608595-00	85 & 100 Push Offs- Front Ram Pin	1
7	HC10070-2	Push Off Ram	1

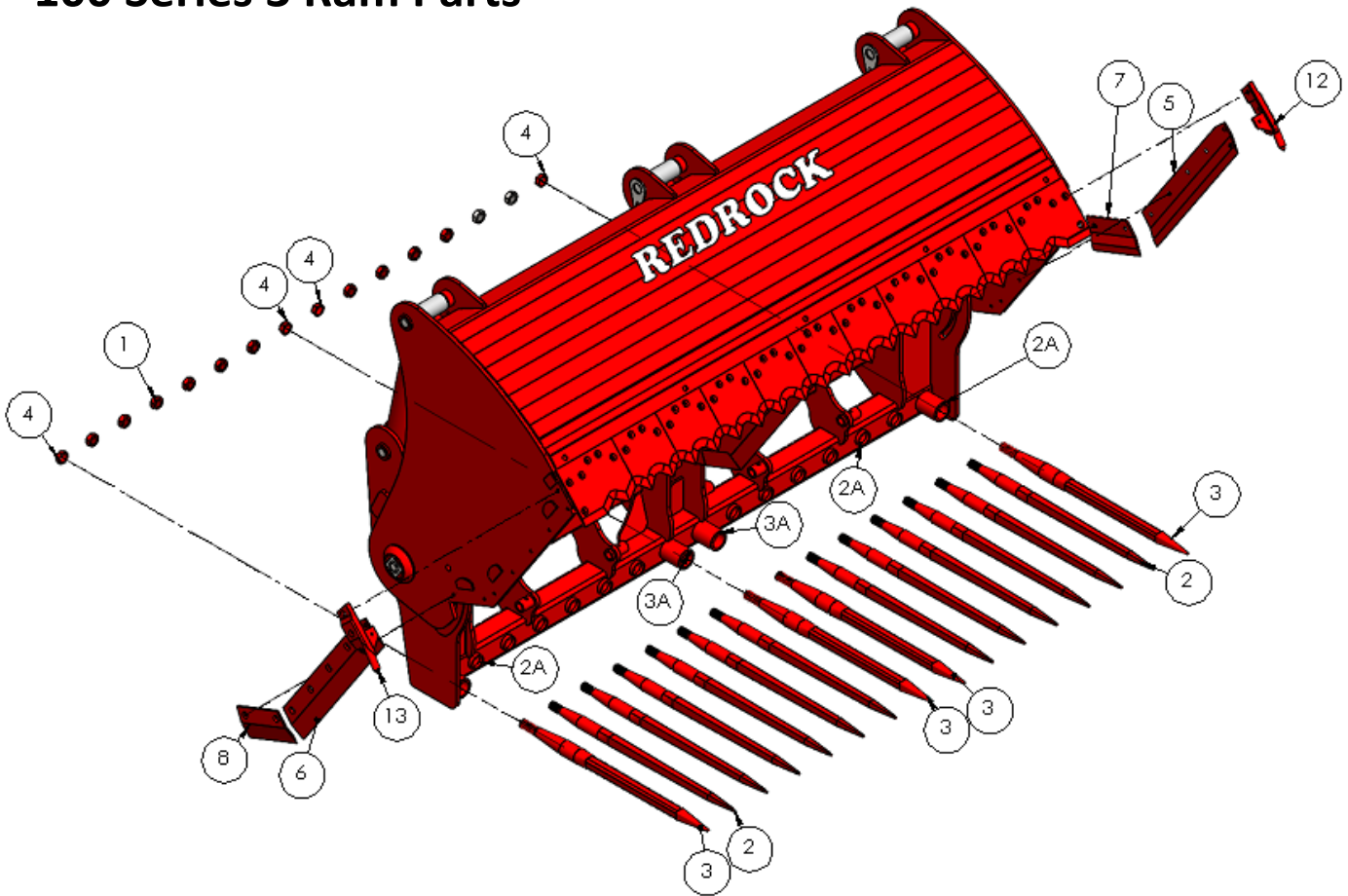
CONTACT –0044 (0) 2837 552390

EMAIL – david.ferris@redrockmachinery.com



Blockcutter Range

100 Series 3 Ram Parts



ITEM NO.	PART NO.	DESCRIPTION	QTY.
1	1000822	M28 Tine nut	See page 38
2	1000826	890mm K2 HD SQ Tine	See page 38
3	1000828	890mm K3 SH SQ Tine	See page 38
4	1000829	M30 Tine Nut	See page 38
5	1000836L	Tele Long Side Blade LHS	1
6	1000836R	Tele Long Side Blade RHS	1
7	1000837L	Tele Short Side Blade LHS	1
8	1000837R	Tele Short Side Blade RHS	1
9	1000851	210mm Front Blade	See page 38
10	1000865L	265mm Front Left Blade	1
11	1000865R	265mm Front Right Blade	1
12	100088L	LH Bolt on Stop Point	1
13	100088R	RH Bolt on Stop Point	1

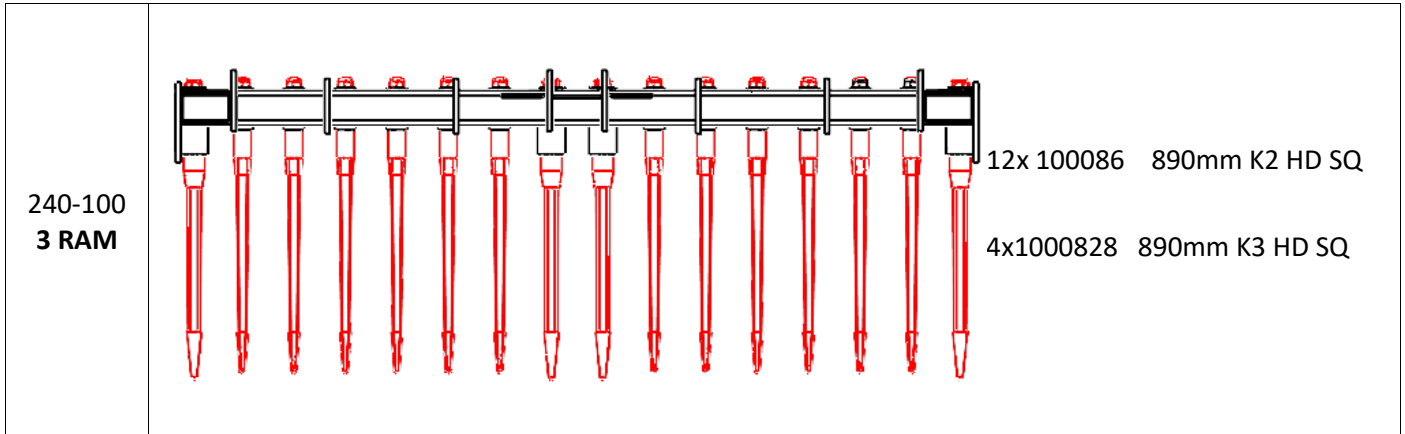
CONTACT –0044 (0) 2837 552390

EMAIL – david.ferris@redrockmachinery.com



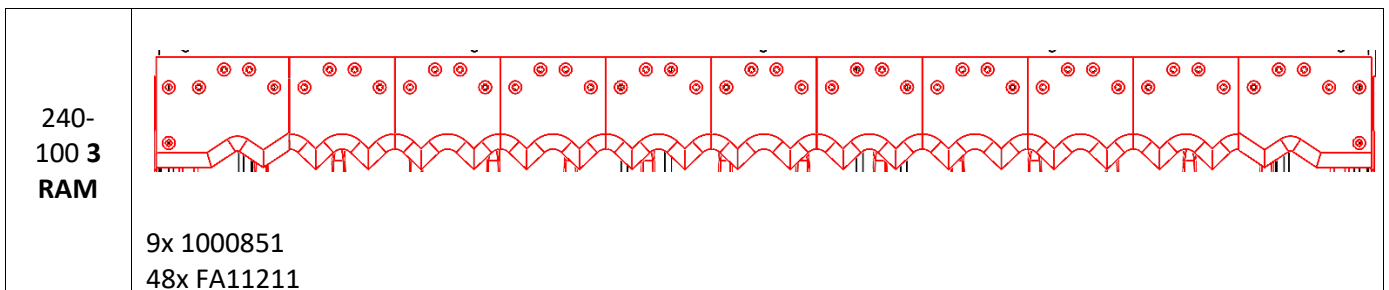
Blockcutter Range

100 Series 3 Ram Tines



100 Series 3 Ram Blades

The amount of front blades depends on the model as they get wider more of the blade 7 (100851) gets added.
 Refer to this table to know the quantity required for your model:

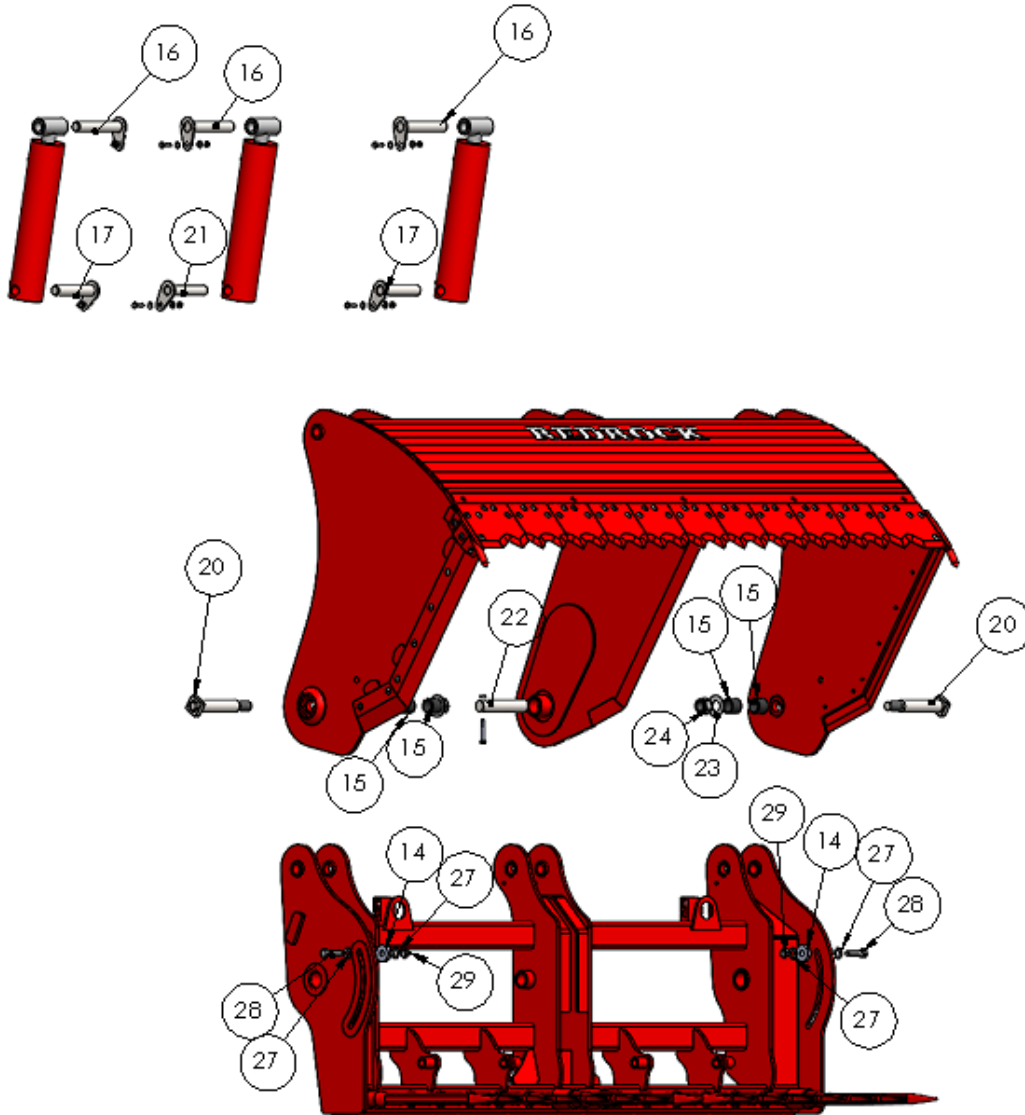


77 Redrock Road,
Collone, Armagh,
N. Ireland BT60 2BL

Tel – 0044 28 3755 2390
Web – www.redrockmachinery.com

Blockcutter Range

100 Series 3 Ram Pins



ITEM NO.	PART NO.	DESCRIPTION	QTY.
14	106684-00	85 Series 62mm Wear Washer	2
15	1090905	EG 45/55x50mm Steel Bush	4
16	11301100-01	100 & 130 series front ram pin	3
17	11302100-01	100 & 130 series rear ram pin	2
18	1240100103-00	240-100 3 Ram Blockcutter Front Assembly	1
19	1240100203-01	240-100 3 Ram Blockcutter Back Assembly	1
20	1851110-00	85 & 100 Series Main Hinge Pin	2
21	1852100-01	85 Series Rear ram pin	1
22	1852145-00	85-3 Center Hinge Pin	1

CONTACT –0044 (0) 2837 552390

EMAIL – david.ferris@redrockmachinery.com

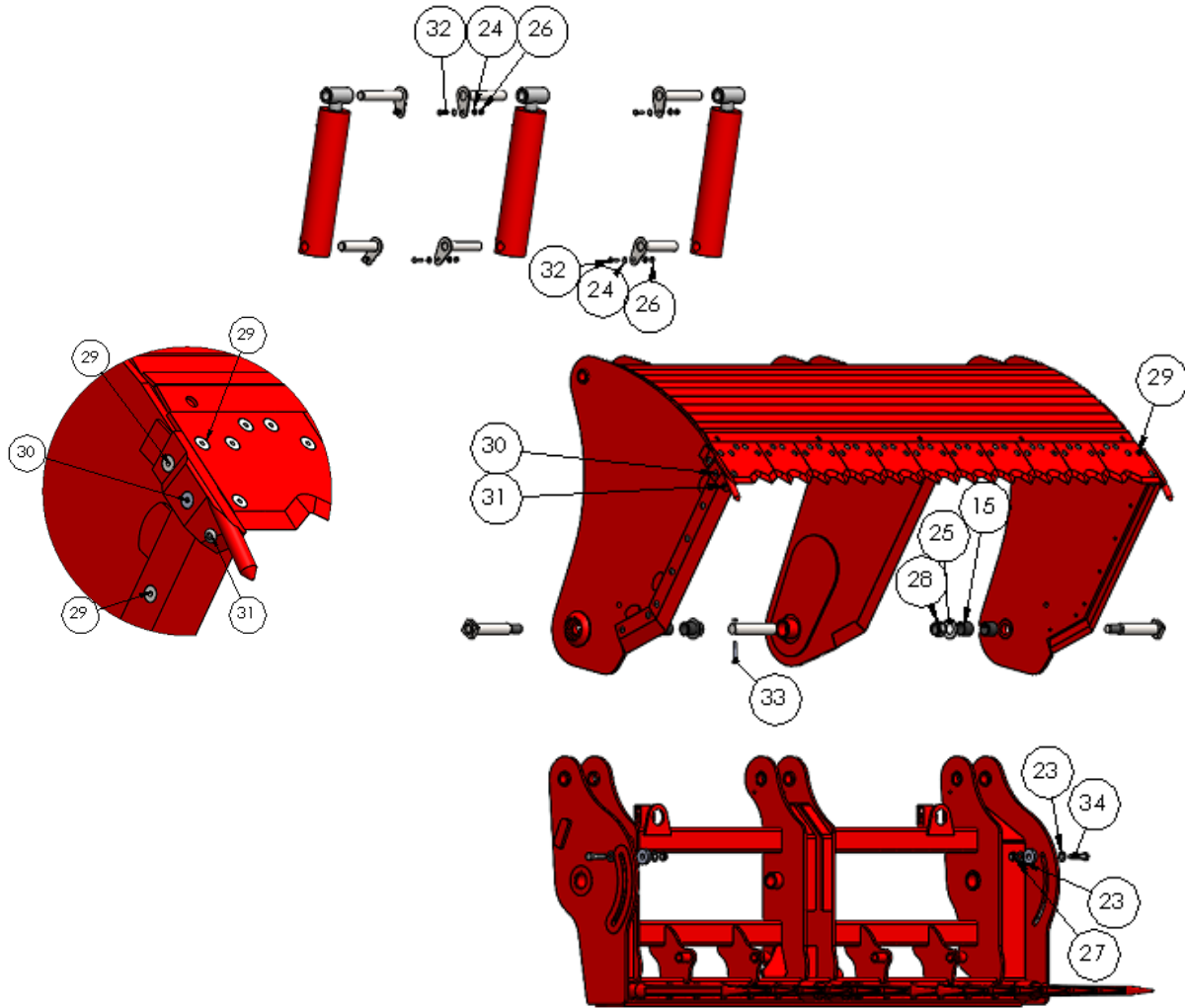


77 Redrock Road,
Collone, Armagh,
N. Ireland BT60 2BL

Tel – 0044 28 3755 2390
Web – www.redrockmachinery.com

Blockcutter Range

100 Series 3 Ram Fasteners



ITEM NO.	PART NO.	DESCRIPTION	QTY.
23	FA001***	M20 Washer	4
24	FA00125	M12 Washer	12
25	FA00230	1 1/2" Washer Plated (38.10)	2
26	FA02040P	M12 Lock Nut	7
27	FA02060P	M20 NYLOC Nut Plated	2
28	FA02090	M36 Nyloc Nut	2
29	FA11211	M12x25 SKT CSK	See page 38
30	FA11216	M12x030 SKT CSK SC PL	2
31	FA112175	M12x30 Button Head	2
32	FA11220P	M12x40 Set Screw Plated	6
33	FA11240	M12x80 Hexagon Bolt Plated	1
34	FA12025	M20x80 Hexagon Bolt Plated	2

CONTACT –0044 (0) 2837 552390

EMAIL – david.ferris@redrockmachinery.com

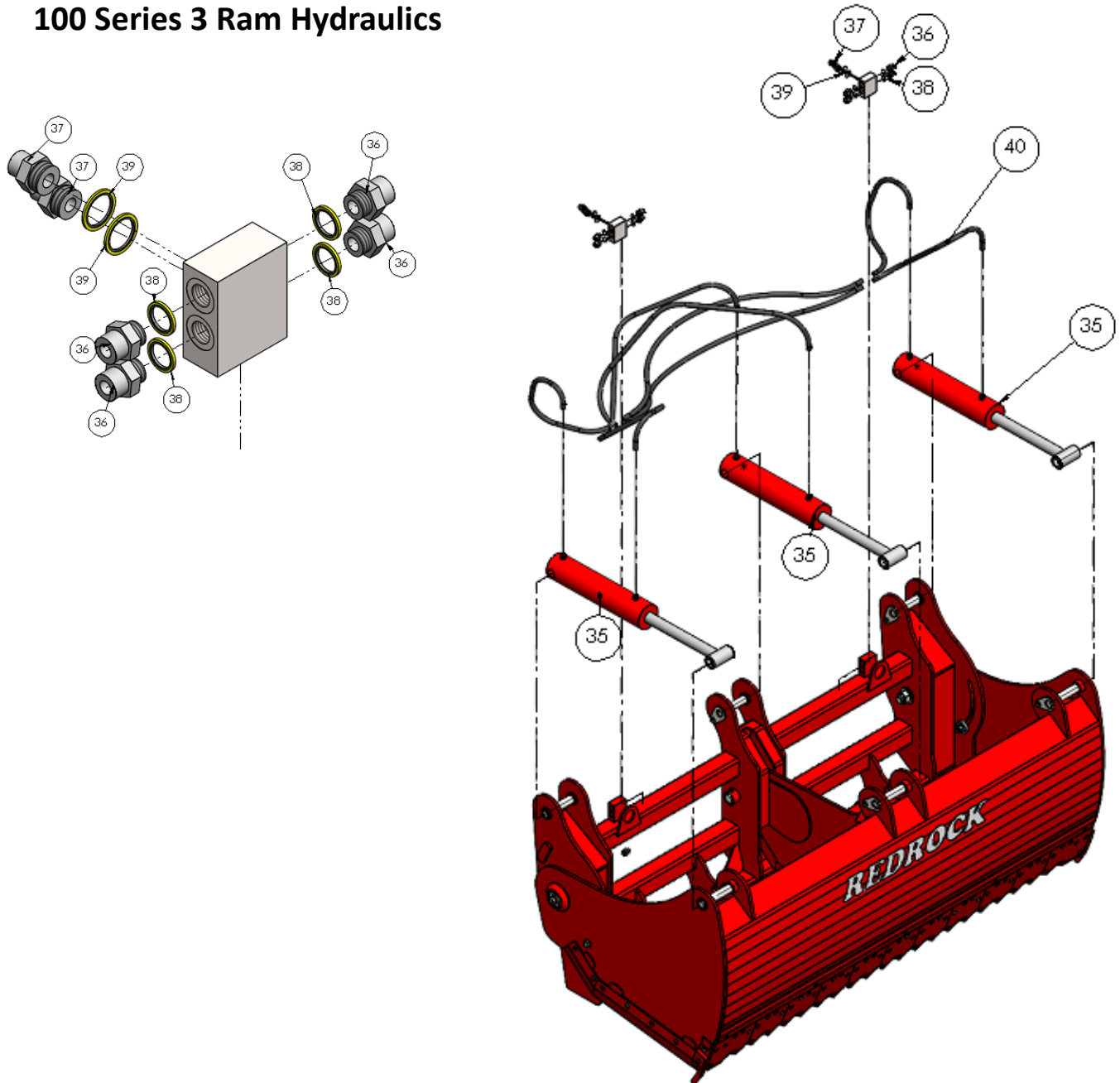


77 Redrock Road,
Collone, Armagh,
N. Ireland BT60 2BL

Tel – 0044 28 3755 2390
Web – www.redrockmachinery.com

Blockcutter Range

100 Series 3 Ram Hydraulics



ITEM NO.	PART NO.	DESCRIPTION	QTY.
35	HC10027	100 Series Ram	3
36	HY05540	M24-M22 Male Adapter	8
37	HY05680	M26-M22 Male Adapter	5
38	HY10110	M22 Dowty Seal	9
39	HY10115	M26 Dowty Seal	5
40	See page 42	Hose Kit	1

CONTACT –0044 (0) 2837 552390

EMAIL – david.ferris@redrockmachinery.com



77 Redrock Road,
Collone, Armagh,
N. Ireland BT60 2BL
Tel – 0044 28 3755 2390
Web – www.redrockmachinery.com

Blockcutter Range

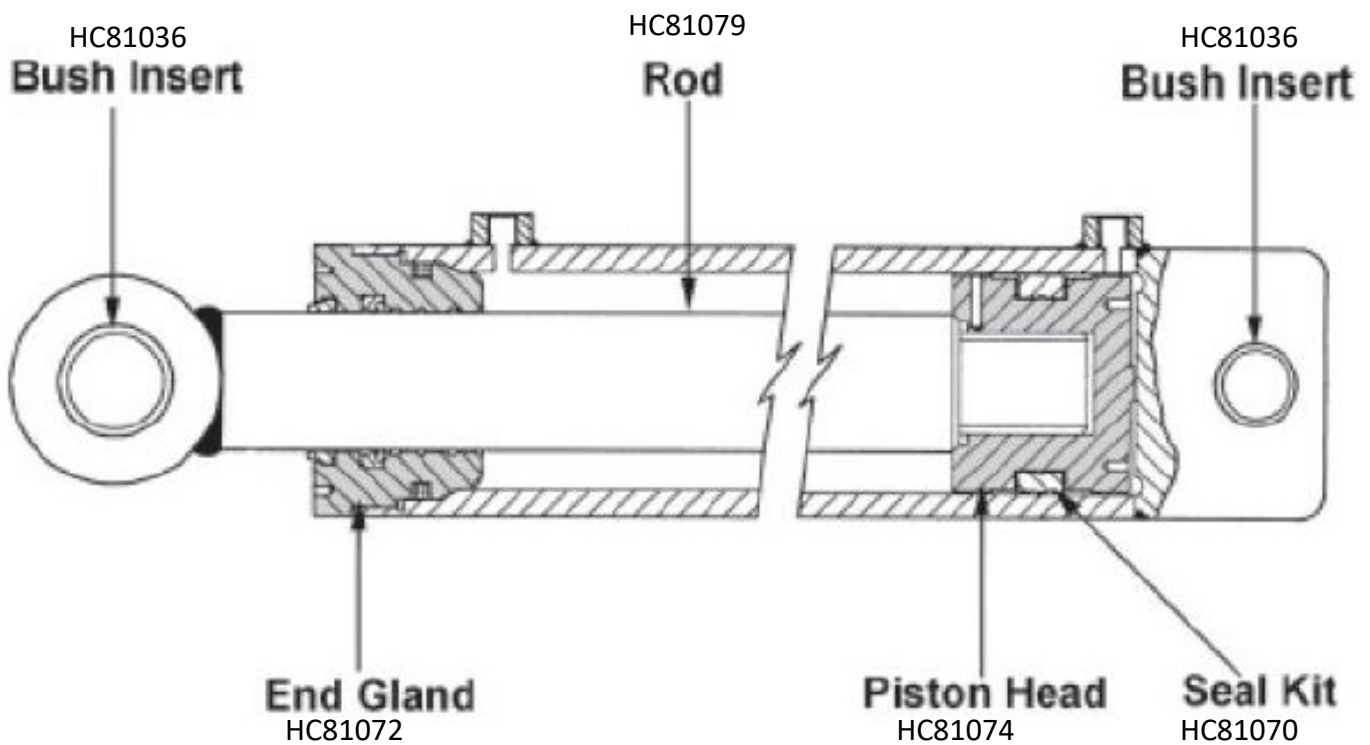
100 Series 3 Ram Hydraulics

Hose Kits

Model	Kit Number
240-100	

100 Series Ram

Part Number: HC10027



CONTACT –0044 (0) 2837 552390

EMAIL – david.ferris@redrockmachinery.com

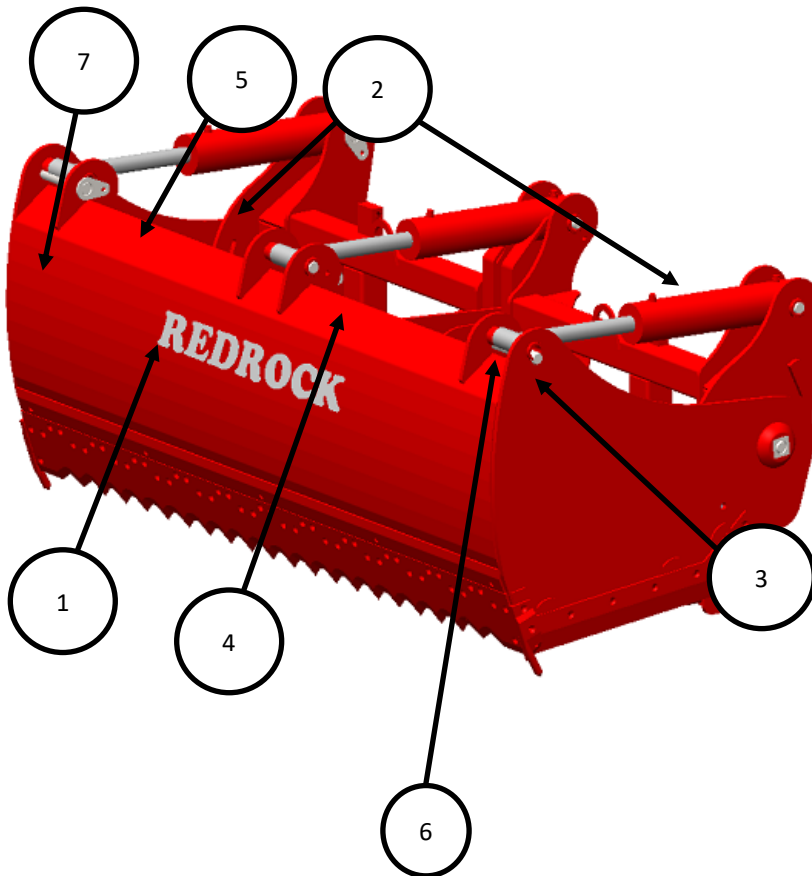


77 Redrock Road,
Collone, Armagh,
N. Ireland BT60 2BL

Tel – 0044 28 3755 2390
Web – www.redrockmachinery.com

Blockcutter Range

100 Series 3 Ram Stickers



ITEM NO.	PART NO.	PHOTO	QTY
1	800041-01		1
2	8000313-00		2
3	800029		1
4	8000295		1
5	800003		1
6	800021		6
7		Model Identification Sticker	1
	8000018		

CONTACT – 0044 (0) 2837 552390

EMAIL – david.ferris@redrockmachinery.com

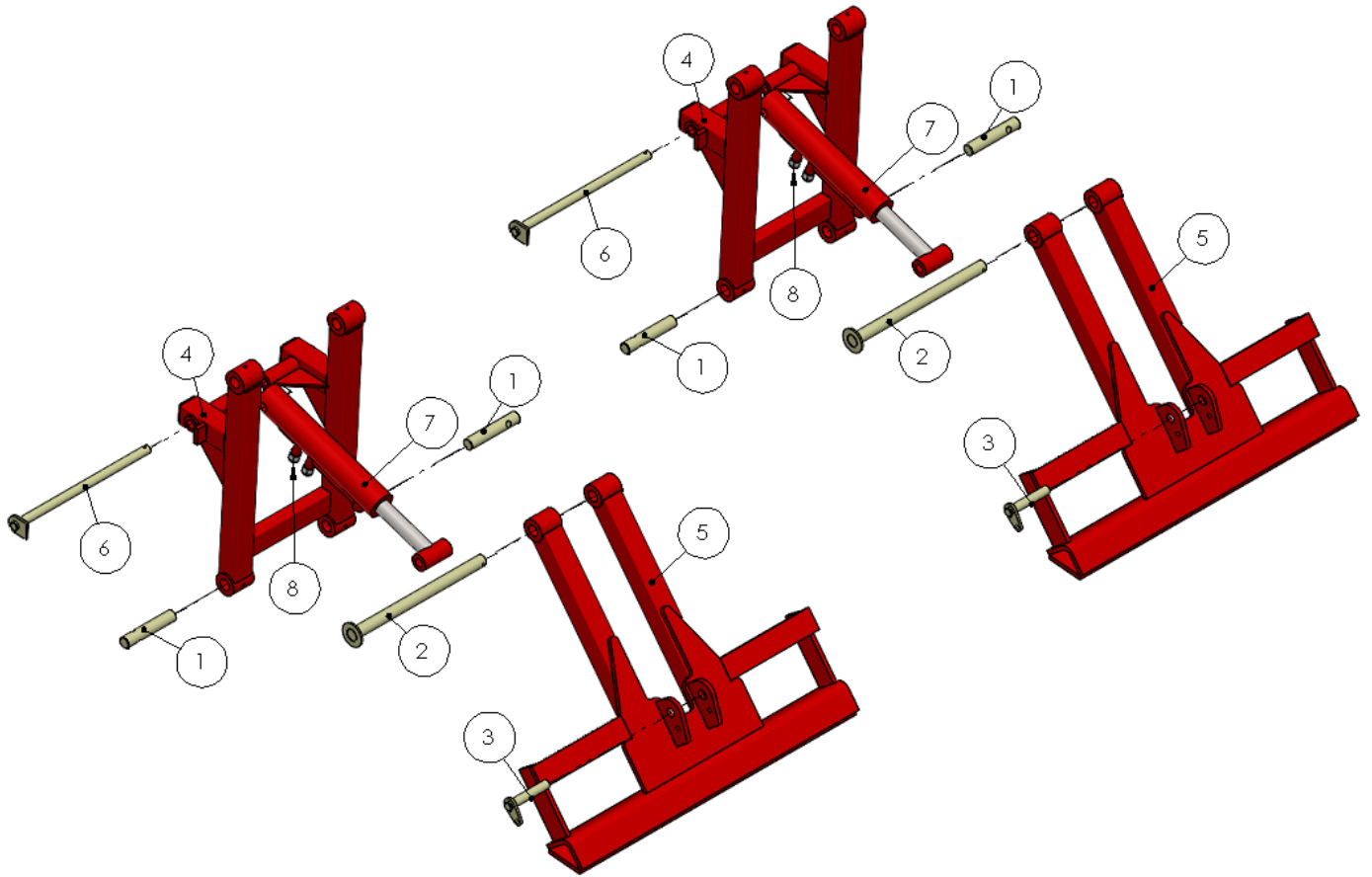


77 Redrock Road,
Collone, Armagh,
N. Ireland BT60 2BL

Tel – 0044 28 3755 2390
Web – www.redrockmachinery.com

Blockcutter Range

100 Series 3 Ram Push Off



ITEM NO.	PART NO.	DESCRIPTION	QTY.
1	1102140-00	Push-Off Bottom Pivot Pin	4
2	11378565-00	85 &100 Push Off- Top Pin Assem	2
3	11608595-00	85 & 100 Push Offs- Front Ram Pin	2
4	121885335-00	85 & 100 Push off -Back	2
5	1240100345-00	240/100/3 Push Off Blade	2
6	121885355-00	85 & 100 Push Offs- Front Ram Pin	2
7	HC10070-2	Push Off Ram	2
8	HY03130	M18 90o - 1/4" Hose	4

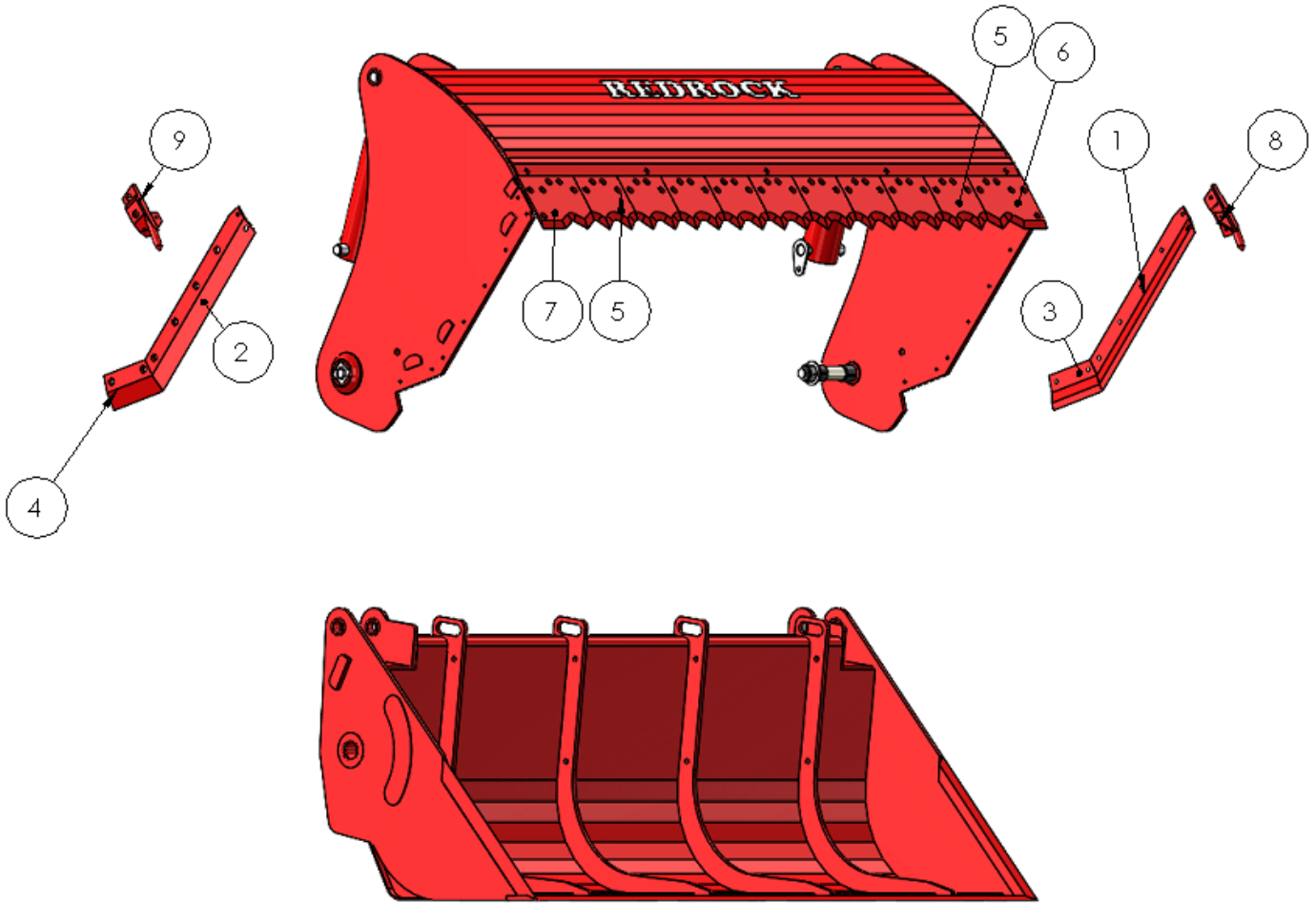
CONTACT –0044 (0) 2837 552390

EMAIL – david.ferris@redrockmachinery.com



Blockcutter Range

100 Series All Round Parts



ITEM NO.	PART NO.	DESCRIPTION	QTY.
1	1000836L	Tele Long Side Blade LHS	1
2	1000836R	Tele Long Side Blade RHS	1
3	1000837L	Tele Short Side Blade LHS	1
4	1000837R	Tele Short Side Blade RHS	1
5	1000851	210mm Front Blade	9
6	1000865L	265mm Front Left Blade	1
7	1000865R	265mm Front Right Blade	1
8	100088L	LH Bolt on Stop Point	1
9	100088R	RH Bolt on Stop Point	1

CONTACT –0044 (0) 2837 552390

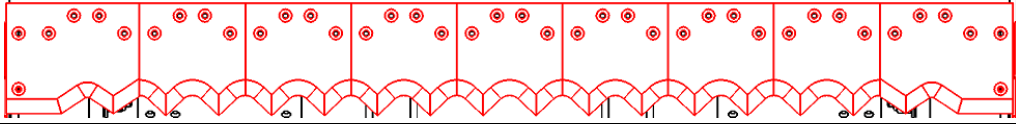
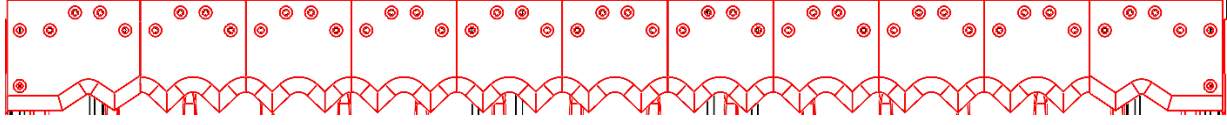
EMAIL – david.ferris@redrockmachinery.com



Blockcutter Range

100 Series All Round Blades

The amount of front blades depends on the model as they get wider more of the blade 7 (100851) gets added.
 Refer to this table to know the quantity required for your model:

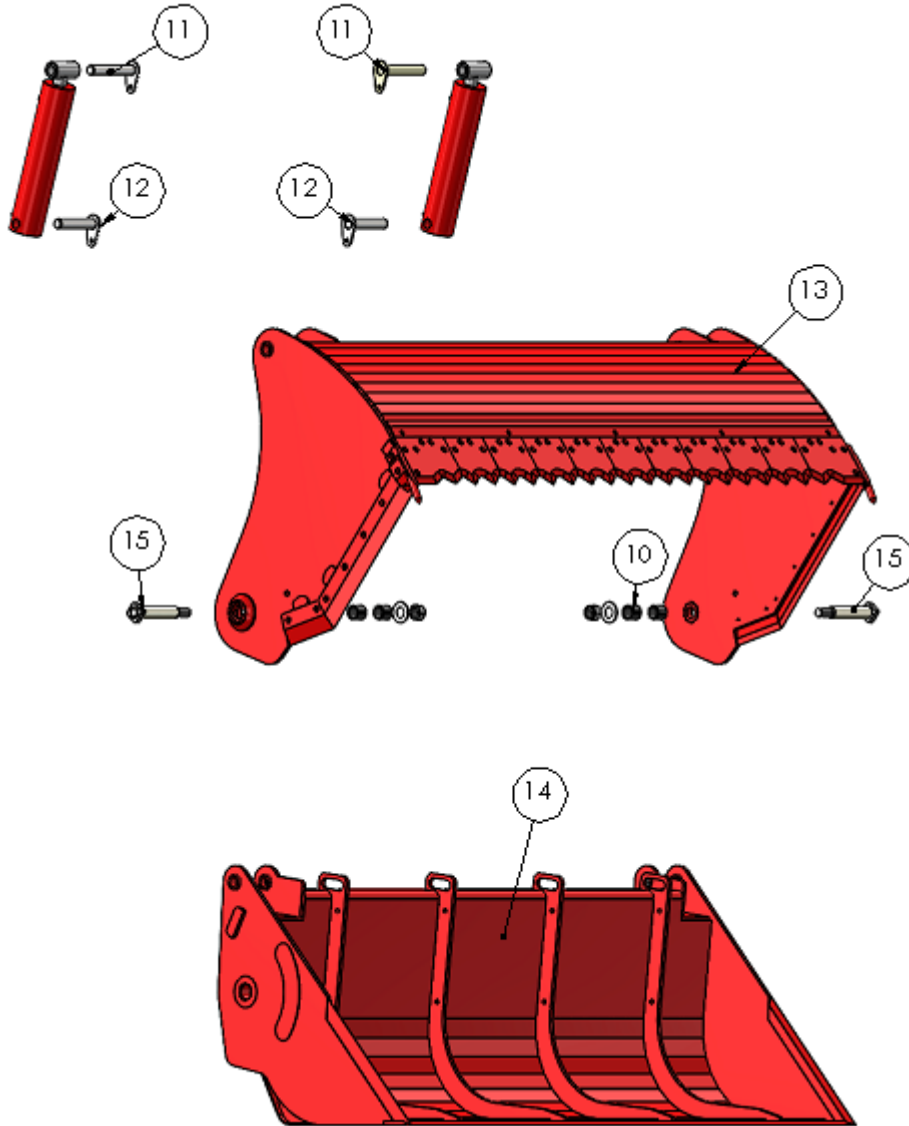
200-100		7x 100851 40x FA11211
240-100		9x 100851 48x FA11211

77 Redrock Road,
Collone, Armagh,
N. Ireland BT60 2BL

Tel – 0044 28 3755 2390
Web – www.redrockmachinery.com

Blockcutter Range

100 Series All Round Pins



ITEM NO.	PART NO.	DESCRIPTION	QTY.
10	1090905	EG 45/55x50mm Steel Bush	4
11	11301100-01	100 & 130 series front ram pin	2
12	11302100-01	100 & 130 series rear ram pin	2
13	124010010-00	240-100 Blockcutter Front Assembly	1
14	124010030-00	240/100 Bucket Assembly	1
15	1851110-00	85 & 100 Series Main Hinge Pin	2

CONTACT –0044 (0) 2837 552390

EMAIL – david.ferris@redrockmachinery.com

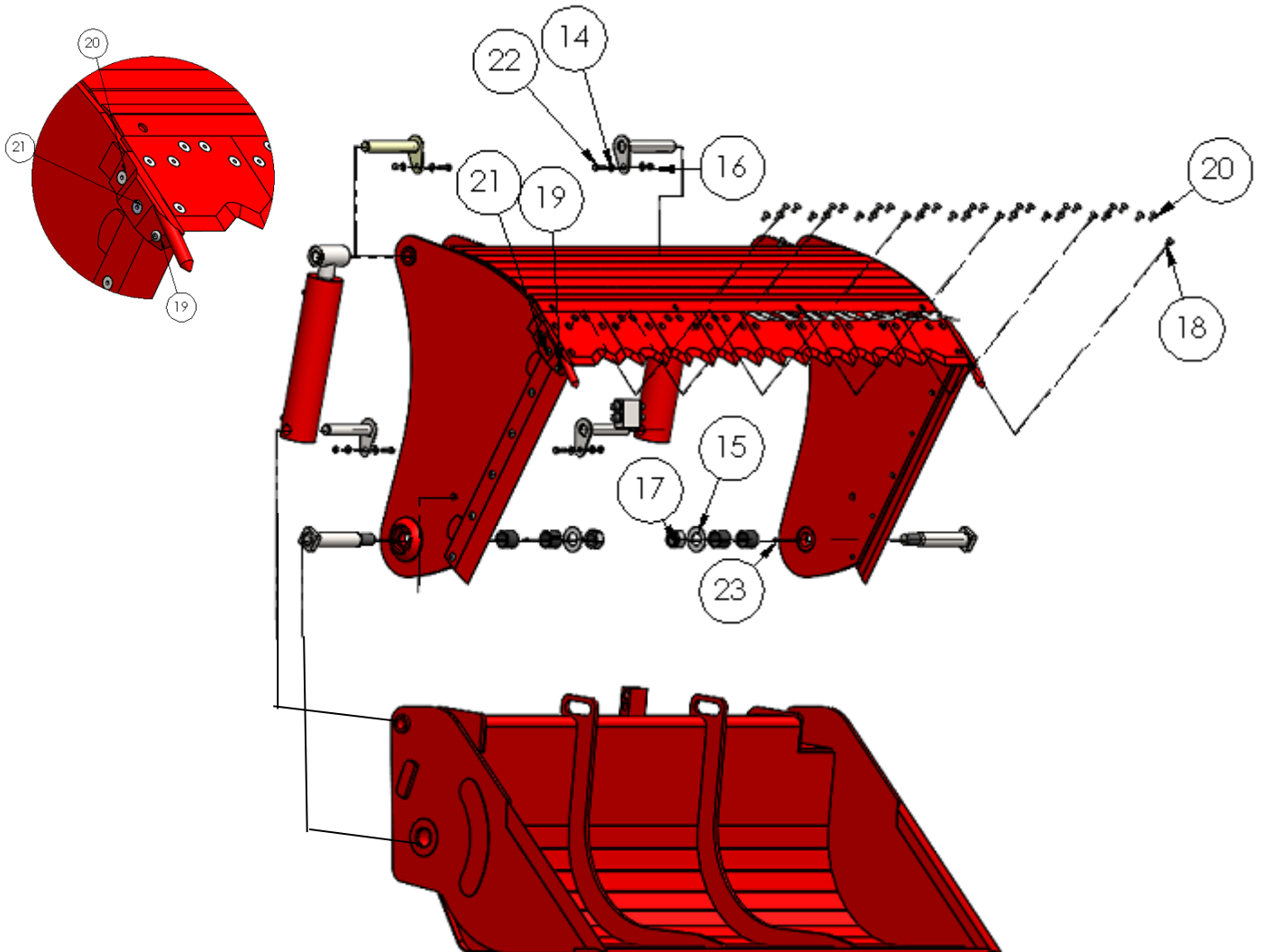


77 Redrock Road,
Collone, Armagh,
N. Ireland BT60 2BL

Tel – 0044 28 3755 2390
Web – www.redrockmachinery.com

Blockcutter Range

100 Series All Round Fasteners



ITEM NO.	PART NO.	DESCRIPTION	QTY.
14	FA00125	M12 Washer	8
15	FA00230	1 1/2" Washer Plated (38.10)	2
16	FA02040P	M12 Lock Nut	4
17	FA02090	M36 Nyloc Nut	2
18	FA11205	M12 x 20 SS CSK	1
19	FA11206	M12 x 20 Socket Button Head Screw Plated	2
20	FA11211	M12x25 SKT CSK	See page 45
21	FA11216	M12x030 SKT CSK SC PL	2
22	FA11220P	M12x40 Set Screw Plated	4
23	FA18110	M6 Straight Grease Nipple	2

CONTACT –0044 (0) 2837 552390

EMAIL – david.ferris@redrockmachinery.com



77 Redrock Road,
Collone, Armagh,
N. Ireland BT60 2BL

Tel – 0044 28 3755 2390
Web – www.redrockmachinery.com

Blockcutter Range

100 Series All Round Hydraulics

CONTACT – 0044 (0) 2837 552390

EMAIL – david.ferris@redrockmachinery.com



77 Redrock Road,
Collone, Armagh,
N. Ireland BT60 2BL
Tel – 0044 28 3755 2390
Web – www.redrockmachinery.com

Blockcutter Range

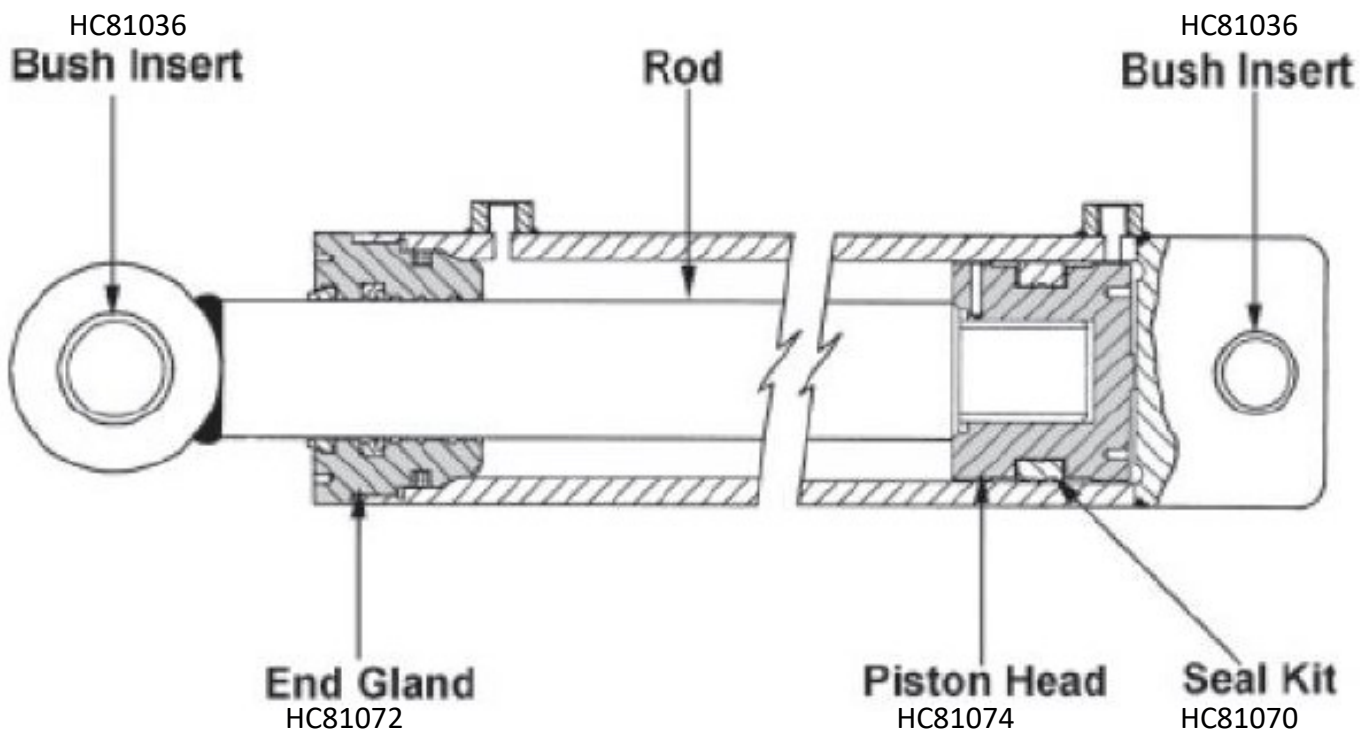
100 Series All Round Hydraulics

Hose Kits

Model	Kit Number
200-100	110092
240-100	

100 Series Ram

Part Number: HC10027



CONTACT –0044 (0) 2837 552390

EMAIL – david.ferris@redrockmachinery.com

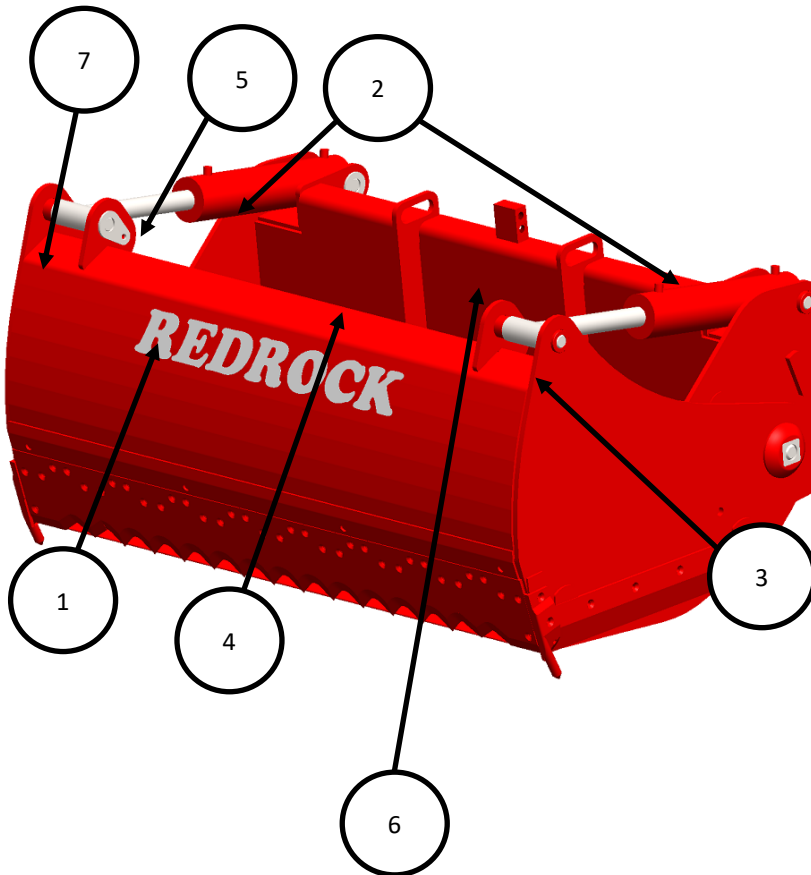


77 Redrock Road,
Collone, Armagh,
N. Ireland BT60 2BL

Tel – 0044 28 3755 2390
Web – www.redrockmachinery.com

Blockcutter Range

100 Series All Round Stickers



ITEM NO.	PART NO.	PHOTO	QTY
1	800041-01		1
2	8000313-00		2
3	800029		1
4	8000295		1
5	800003		1
6	800021		6
7		Model Identification Sticker	1
	8000017		
	8000018		

CONTACT – 0044 (0) 2837 552390

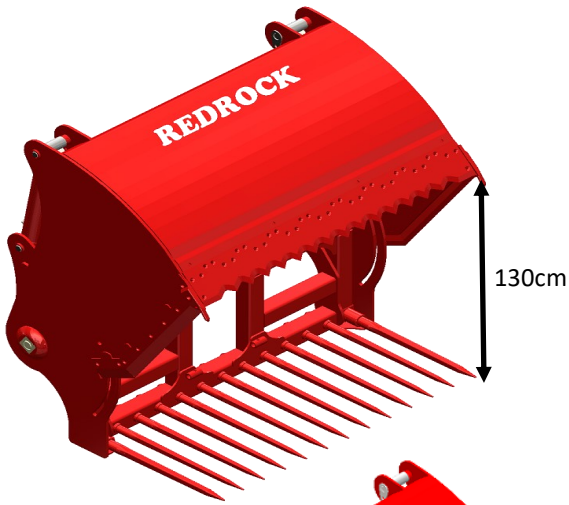
EMAIL – david.ferris@redrockmachinery.com



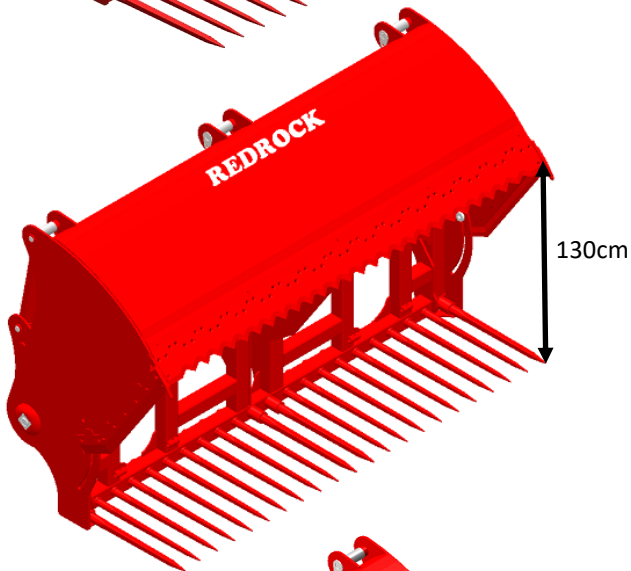
77 Redrock Road,
Collone, Armagh,
N. Ireland BT60 2BL
Tel – 0044 28 3755 2390
Web – www.redrockmachinery.com

Blockcutter Range

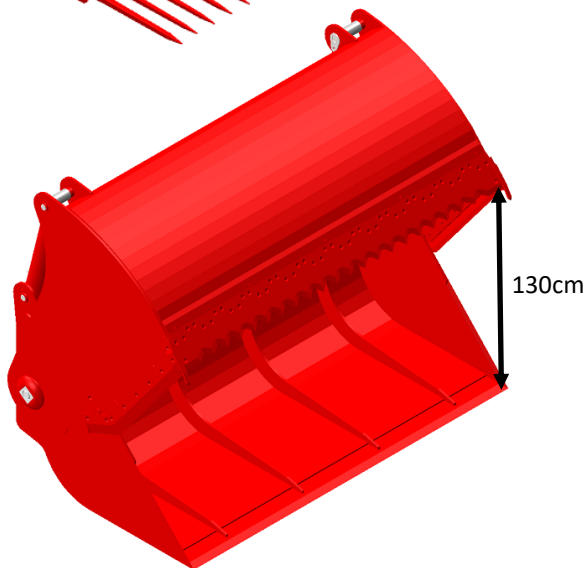
130 Series



160-130
180-130
200-130
240-130



300-130 3RAM



200-130 AR
240-130 AR

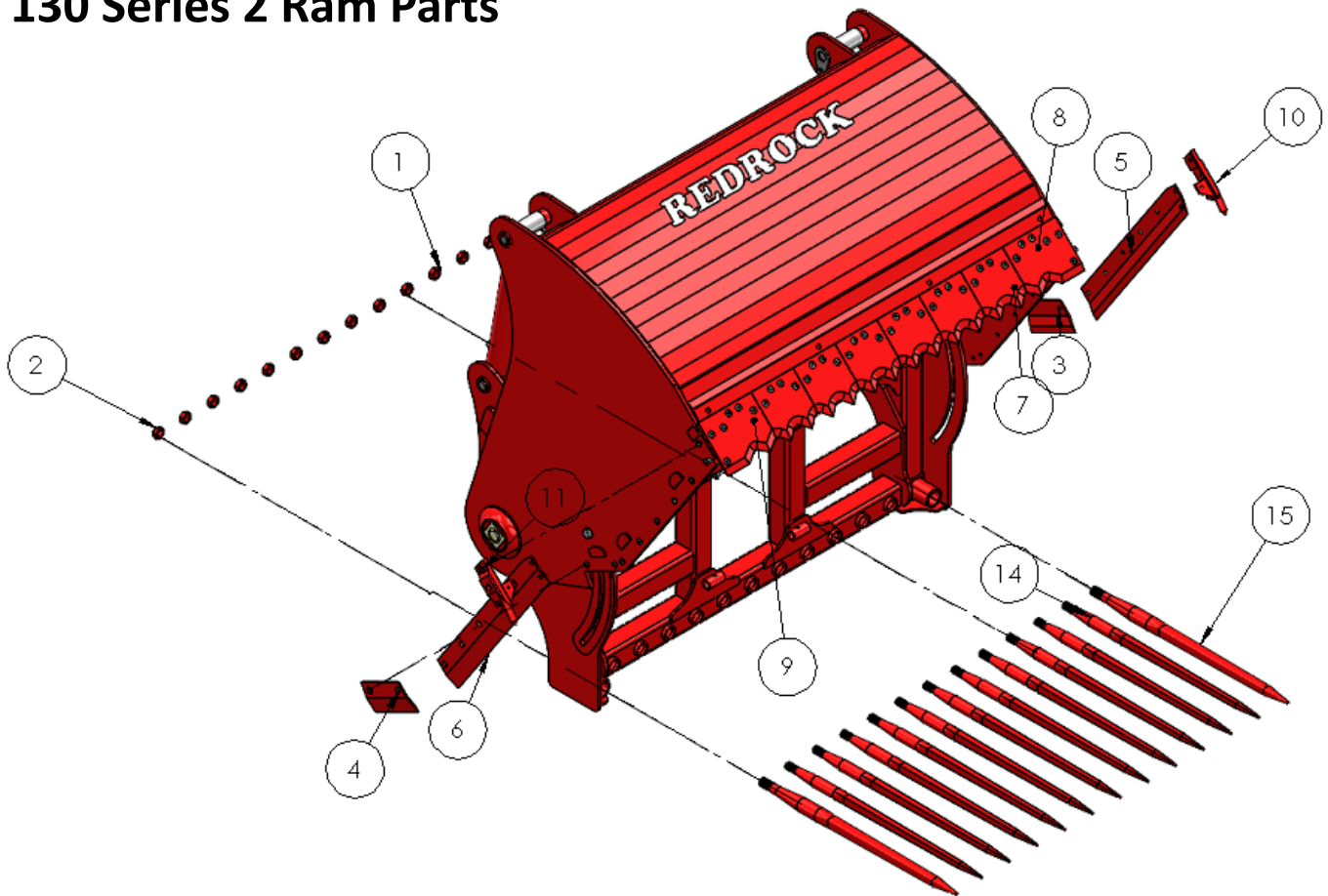
CONTACT – 0044 (0) 2837 552390

EMAIL – david.ferris@redrockmachinery.com



Blockcutter Range

130 Series 2 Ram Parts



ITEM NO.	PART NO.	DESCRIPTION	QTY.
1	1000822	M28 Tine nut	See page 53
2	1000829	M30 Tine Nut	2
3	1000837L	Tele Short Side Blade LHS	1
4	1000837R	Tele Short Side Blade RHS	1
5	100083L	Silage Knife LH	1
6	100083R	Silage Knife RH	1
7	1000851	210mm Front Blade	See page 53
8	1000865L	265mm Front Left Blade	1
9	1000865R	265mm Front Right Blade	1
10	100088L	LH Bolt on Stop Point	1
11	100088R	RH Bolt on Stop Point	1
12	106684-00	85 Series 62mm Wear Washer	3
13	1090680-00	130 Series Pin Washer	2
14	109082	980mm K2 HD SQ Tine	See page 53
15	1090821	980mm K3 HD SQ Tine	2

CONTACT –0044 (0) 2837 552390

EMAIL – david.ferris@redrockmachinery.com

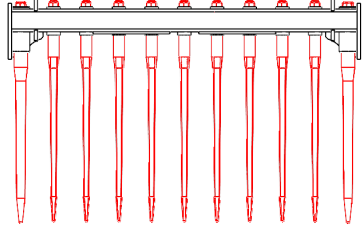
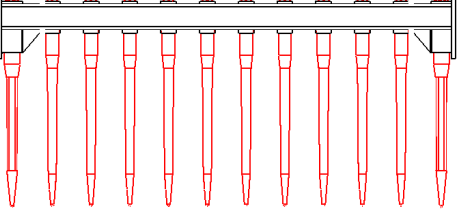
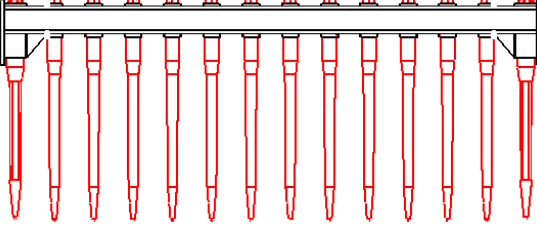
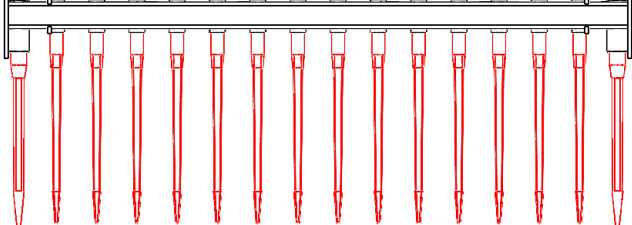


77 Redrock Road,
Collone, Armagh,
N. Ireland BT60 2BL

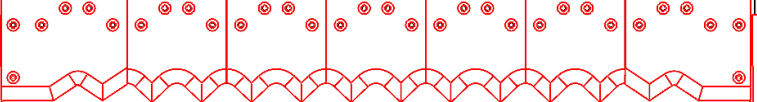


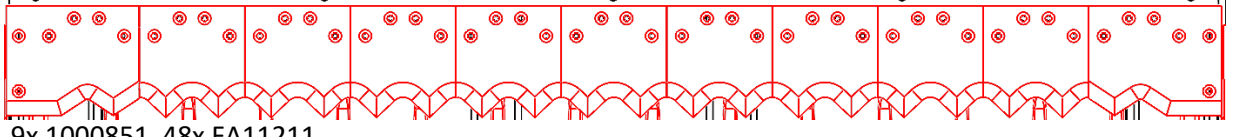
Tel – 0044 28 3755 2390
Web – www.redrockmachinery.com

Blockcutter Range

130 Series 2 Ram Tines

160-130		<p>9x100086 890mm K2 HD SQ Tine 2x1000828 890mm K3 HD SQ Tine</p>
180-130		<p>10x100086 890mm K2 HD SQ Tine 2x1000828 890mm K3 HD SQ Tine</p>
200-130		<p>12x100086 890mm K2 HD SQ Tine 2x1000828 890mm K3 HD SQ Tine</p>
240-130		<p>13x100086 890mm K2 HD SQ Tine 2x1000828 890mm K3 HD SQ Tine</p>

130 Series 2 Ram Blades

160-130		<p>5x 1000851 32x FA11211</p>
180-130		<p>6x 1000851 36x FA11211</p>
200-130		<p>7x 1000851 40x FA11211</p>
240-130		<p>9x 1000851 48x FA11211</p>

CONTACT – 0044 (0) 2837 552390

EMAIL – david.ferris@redrockmachinery.com

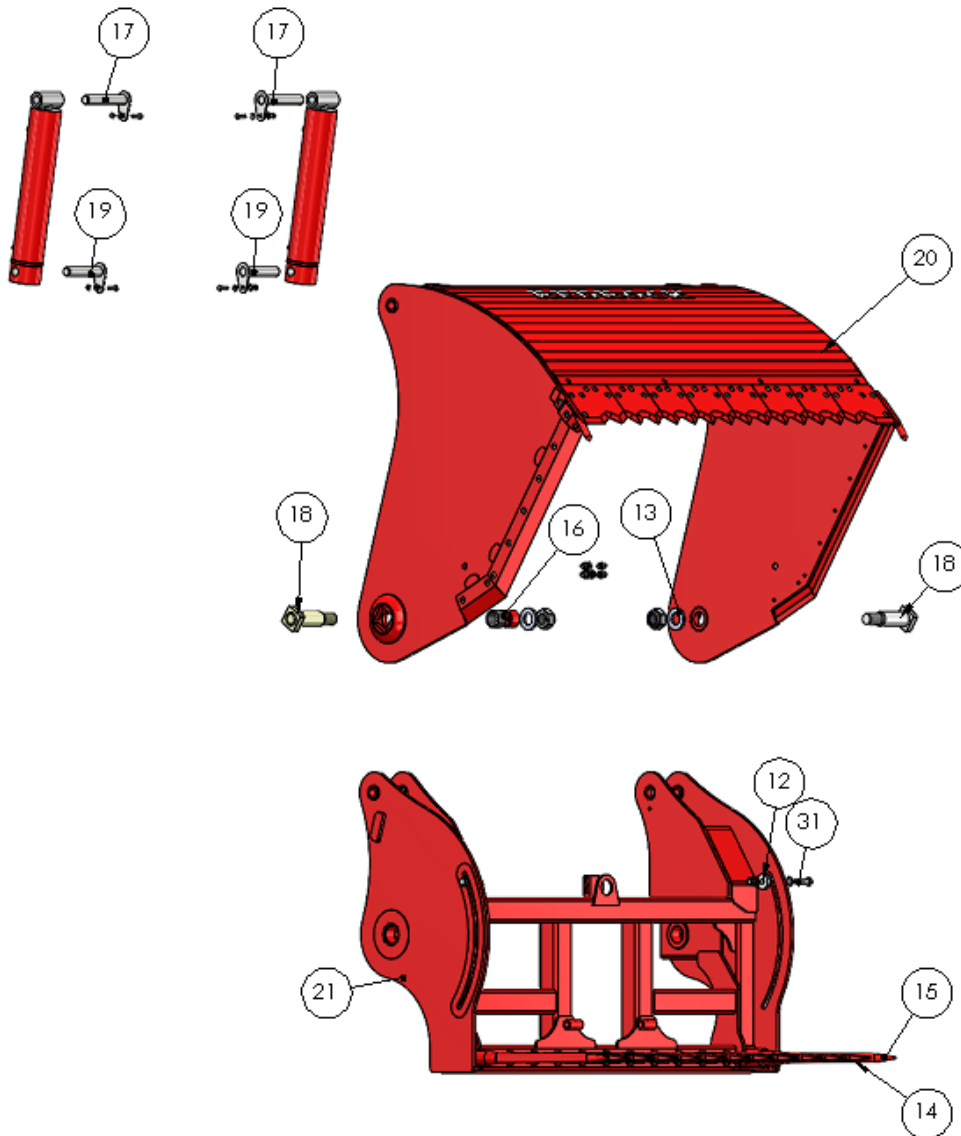


77 Redrock Road,
Collone, Armagh,
N. Ireland BT60 2BL

Tel – 0044 28 3755 2390
Web – www.redrockmachinery.com

Blockcutter Range

130 Series 2 Ram Pins



ITEM NO.	PART NO.	DESCRIPTION	QTY.
12	106684-00	85 Series 62mm Wear Washer	3
13	1090680-00	130 Series Pin Washer	2
14	109082	980mm K2 HD SQ Tine	See page 53
15	1090821	980mm K3 HD SQ Tine	2
16	1090904	EG 60/70x50mm Steel Bush	2
17	11301100-01	100 & 130 series front ram pin	2
18	11301110-00	130 Main Hinge Pin	2
19	11302100-01	100 & 130 series rear ram pin	2

CONTACT –0044 (0) 2837 552390

EMAIL – david.ferris@redrockmachinery.com

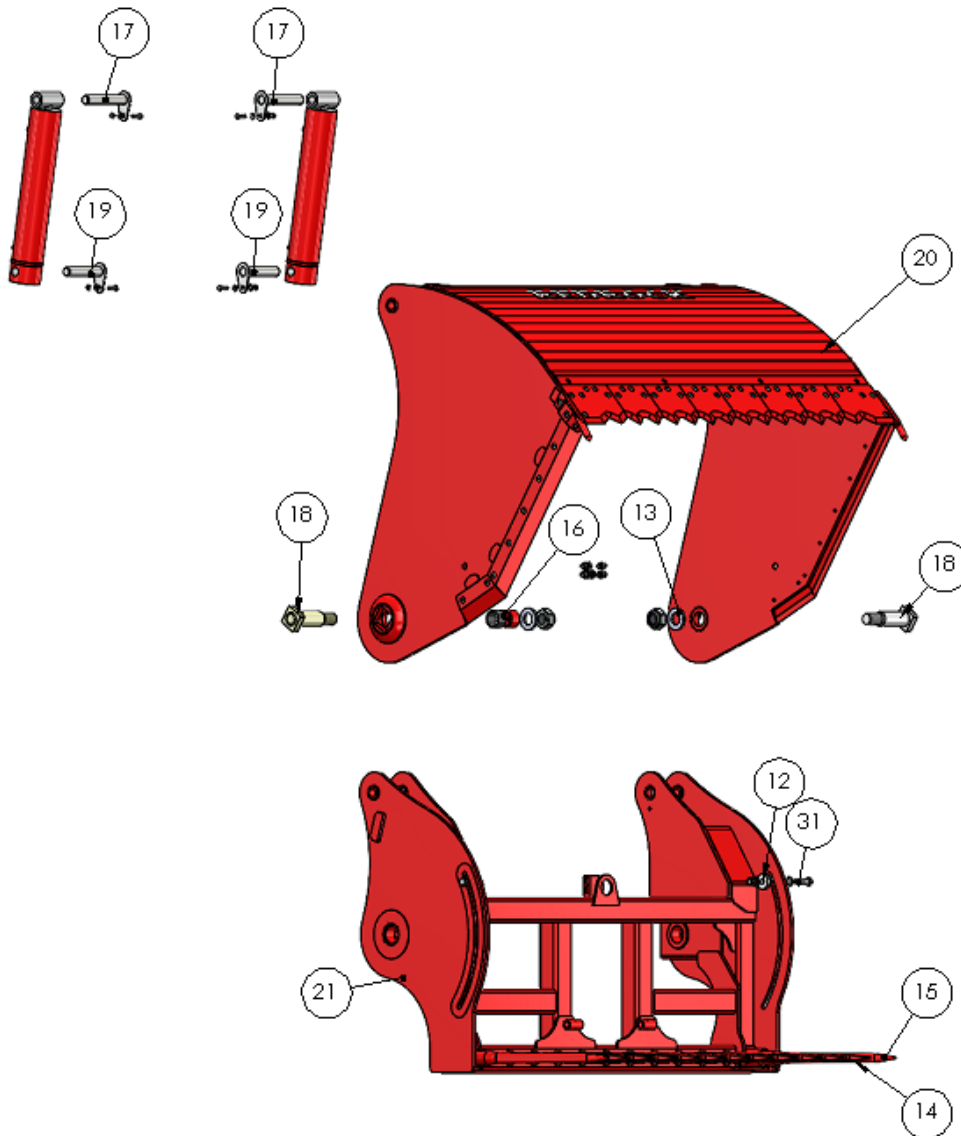


77 Redrock Road,
Collone, Armagh,
N. Ireland BT60 2BL

Tel – 0044 28 3755 2390
Web – www.redrockmachinery.com

Blockcutter Range

130 Series 2 Ram Pins



ITEM NO.	PART NO.	DESCRIPTION	QTY.
20		Blockcutter Front Assembly	1
	116013010-00	160-130 Blockcutter Front Assembly	
	118013010-00	180-130 Blockcutter Front Assembly	
	120013010-00	200-130 Blockcutter Front Assembly	
21		Blockcutter Back Assembly	1
	116013020-00	160-130 Blockcutter Back Assembly	
	118013020-00	180-130 Blockcutter Back Assembly	
	120013020-00	200-130 Blockcutter Back Assembly	

CONTACT –0044 (0) 2837 552390

EMAIL – david.ferris@redrockmachinery.com

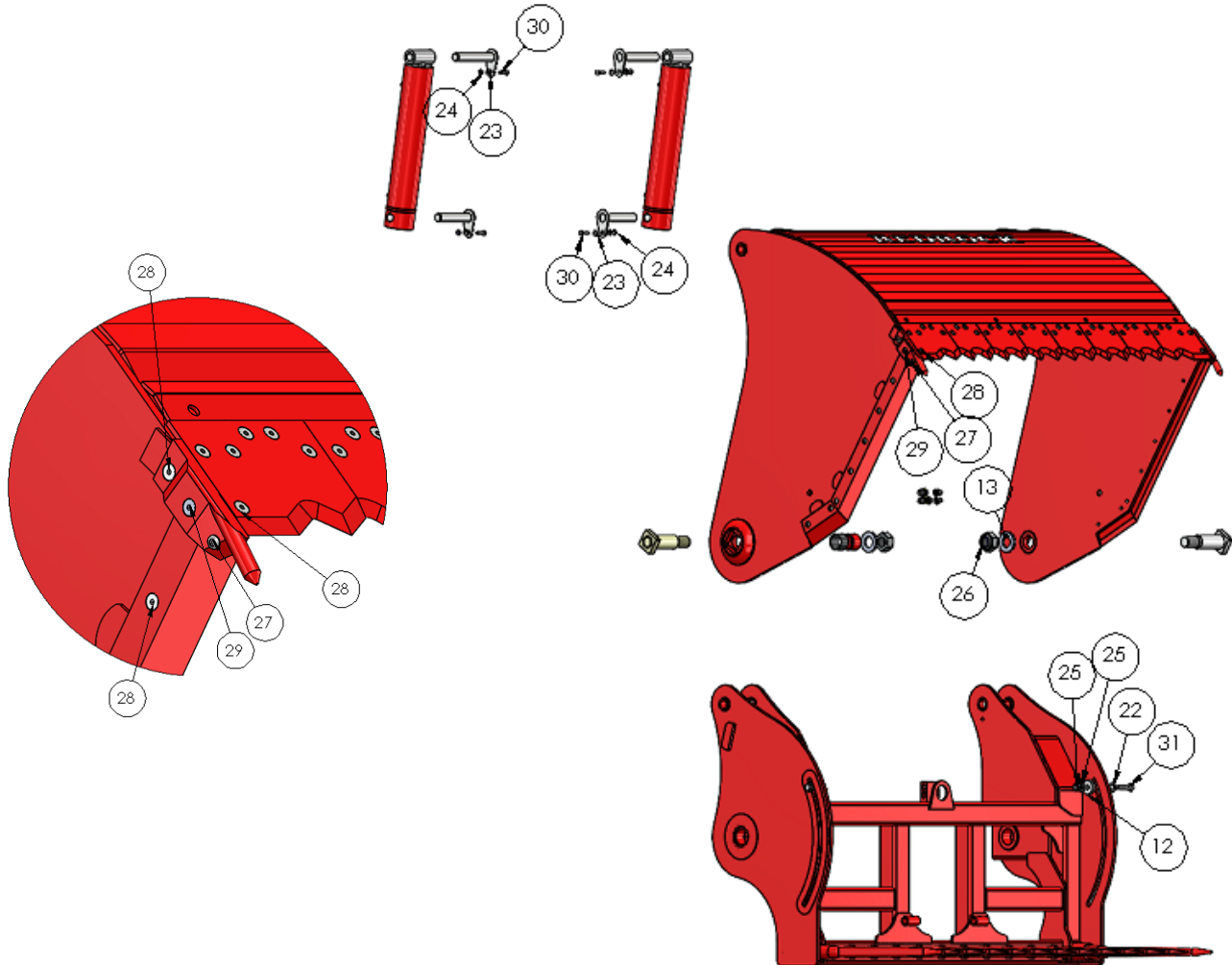


77 Redrock Road,
Collone, Armagh,
N. Ireland BT60 2BL

Tel – 0044 28 3755 2390
Web – www.redrockmachinery.com

Blockcutter Range

130 Series 2 Ram Fasteners



ITEM NO.	PART NO.	DESCRIPTION	QTY.
22	FA001***	M20 Washer	4
23	FA00125	M12 Washer	8
24	FA02040P	M12 Lock Nut	5
25	FA02060P	M20 NYLOC Nut Plated	2
26	FA02110	M48 Nyloc Nut	2
27	FA11206	M12 Socket Button Head Screw Plated	2
28	FA11211	M12x25 SKT CSK	See page 39
29	FA11216	M12x030 SKT CSK SC PL	2
30	FA11220P	M12x40 Set Screw Plated	4
31	FA12025	M20x80 Hexagon Bolt Plated	2

CONTACT –0044 (0) 2837 552390

EMAIL – david.ferris@redrockmachinery.com



77 Redrock Road,
Collone, Armagh,
N. Ireland BT60 2BL

Tel – 0044 28 3755 2390
Web – www.redrockmachinery.com

Blockcutter Range

130 Series 2 Ram Hydraulics

ITEM NO.	PART NO.	DESCRIPTION	QTY.
32	HC10025	4.5"x50mm Hydraulic Ram	2
33	HY05540	M24-M22 Male Adapter	4
34	HY05680	M26-M22 Male Adapter	2
35	HY10110	M22 Dowty Seal	4
36	HY10115	M26 Dowty Seal	2

CONTACT –0044 (0) 2837 552390

EMAIL – david.ferris@redrockmachinery.com



77 Redrock Road,
Collone, Armagh,
N. Ireland BT60 2BL
Tel – 0044 28 3755 2390
Web – www.redrockmachinery.com

Blockcutter Range

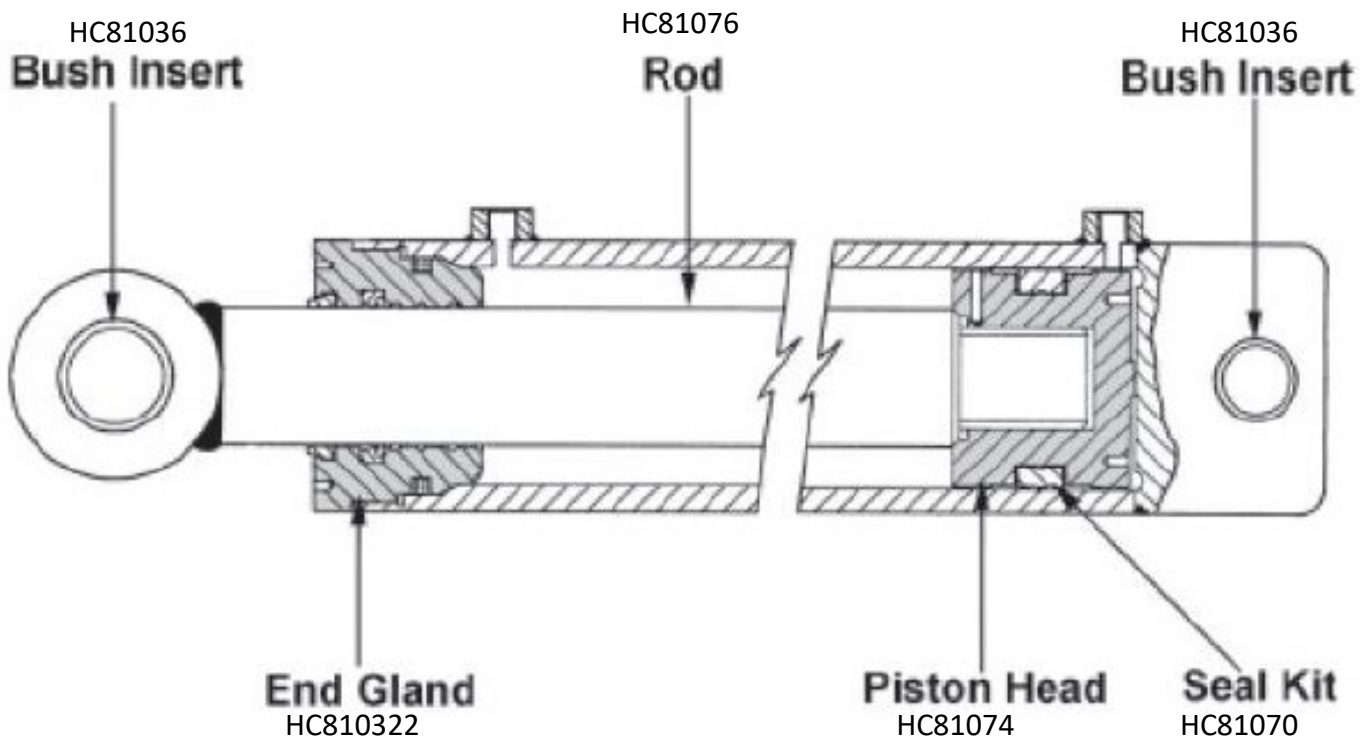
130 Series 2 Ram Hydraulics

Hose Kits

Model	Kit Number
160-130	
180-130	
200-130	

130 Series Ram

Part Number: HC10025



CONTACT – 0044 (0) 2837 552390

EMAIL – david.ferris@redrockmachinery.com

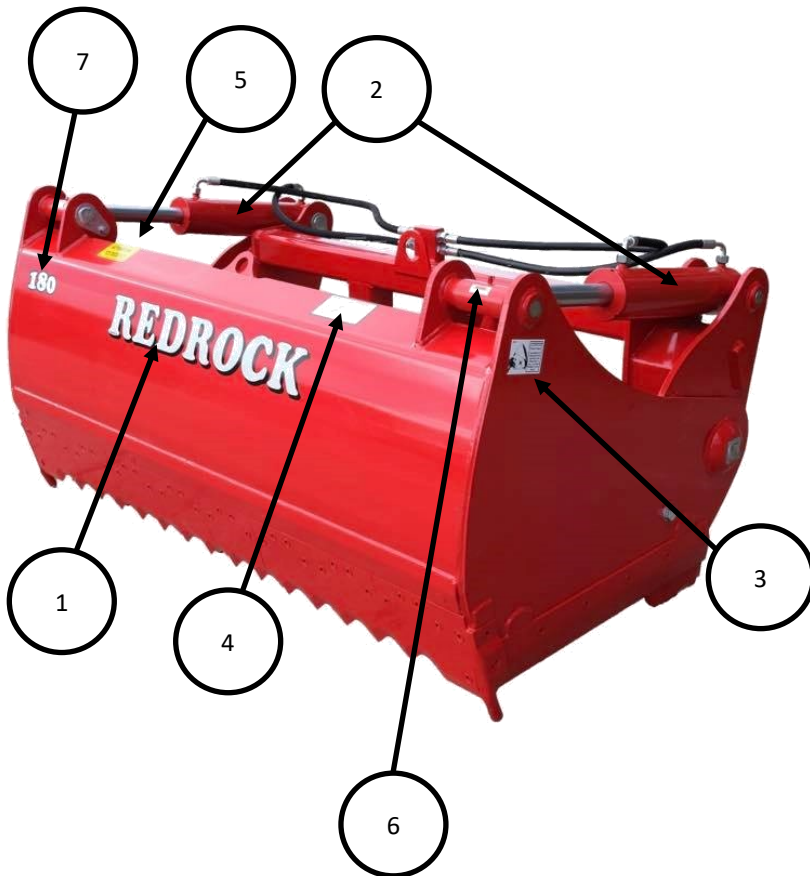


77 Redrock Road,
Collone, Armagh,
N. Ireland BT60 2BL

Tel – 0044 28 3755 2390
Web – www.redrockmachinery.com

Blockcutter Range

130 Series 2 Ram Stickers



ITEM NO.	PART NO.	PHOTO	QTY
1	800041-01		1
2	8000311-00		2
3	800029		1
4	8000295		1
5	800003		1
6	800021		6
7		Model Identification Sticker	1
	8000016		
	8000017		

CONTACT – 0044 (0) 2837 552390

EMAIL – david.ferris@redrockmachinery.com

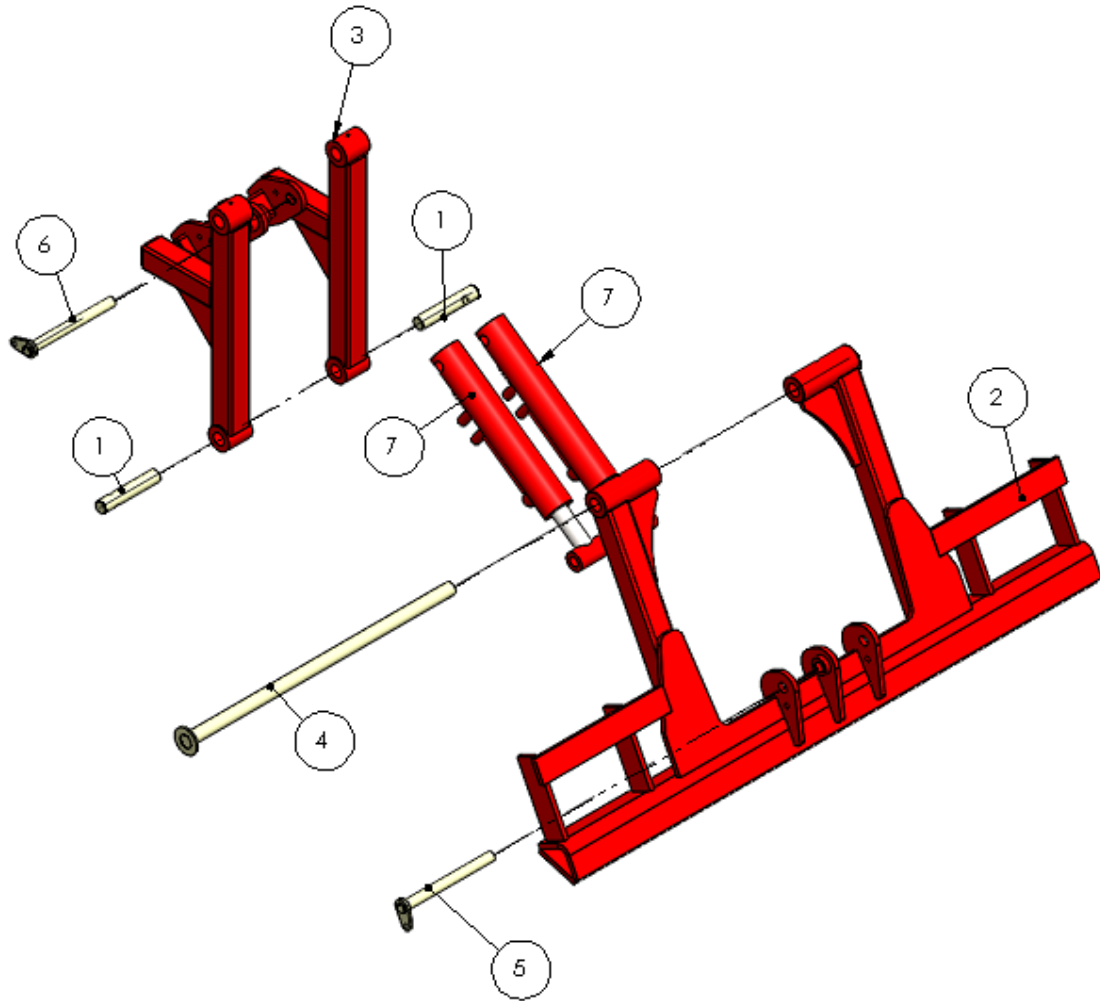


77 Redrock Road,
Collone, Armagh,
N. Ireland BT60 2BL

Tel – 0044 28 3755 2390
Web – www.redrockmachinery.com

Blockcutter Range

130 Series 2 Ram Push Off



ITEM NO.	PART NO.	DESCRIPTION	QTY.
1	1102140-00	Push-Off Bottom Pivot Pin	2
2	116013045-00	160/130 Push off Blade	1
	118013045-00	180/130 Push off Blade	
	120013045-00	200/130 Push off Blade	
	124013045-00	240/130 Push off Blade	
3	116013055-00	130 Push Off - Back	1
4	116013065-00	130 Push Off - Hinge Pin	1
5	116013075-00	130 Push Off - Ram Head Pin	1
6	116013085-00	130 Push Off - Ram Body Pin	1
7	HC10070-2	Push Off Ram	2

CONTACT –0044 (0) 2837 552390

EMAIL – david.ferris@redrockmachinery.com

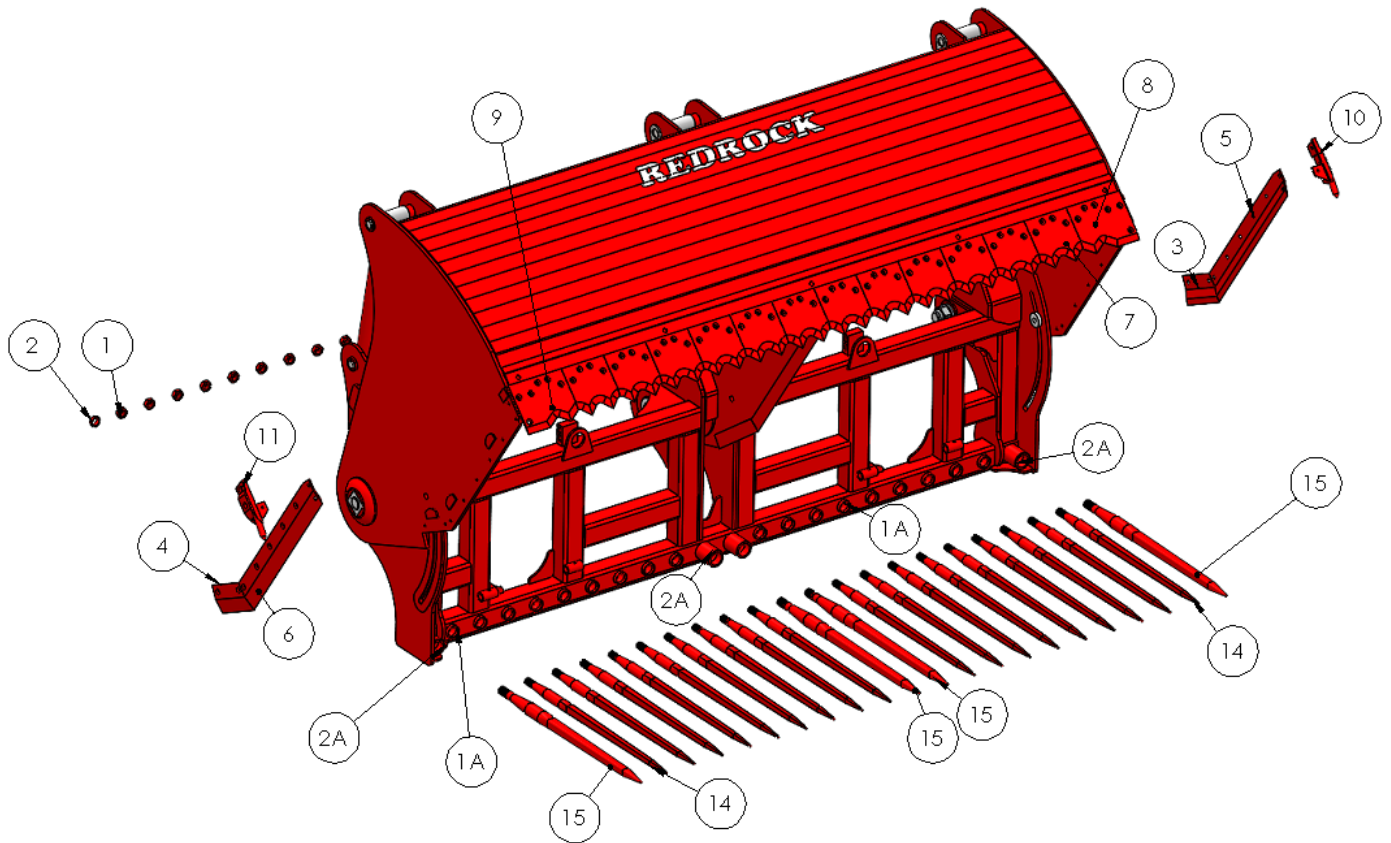


77 Redrock Road,
Collone, Armagh,
N. Ireland BT60 2BL

Tel – 0044 28 3755 2390
Web – www.redrockmachinery.com

Blockcutter Range

130 Series 3 Ram Parts



ITEM NO.	PART NO.	DESCRIPTION	QTY.
1	1000822	M28 Tine nut	See page 61
1A			
2	1000829	M30 Tine Nut	4
2A			
3	1000837L	Tele Short Side Blade LHS	1
4	1000837R	Tele Short Side Blade RHS	1
5	100083L	Silage Knife LH	1
6	100083R	Silage Knife RH	1
7	1000851	210mm Front Blade	12
8	1000865L	265mm Front Left Blade	1
9	1000865R	265mm Front Right Blade	1
10	100088L	LH Bolt on Stop Point	1
11	100088R	RH Bolt on Stop Point	1
12	106684-00	85 Series 62mm Wear Washer	2
13	1090680-00	130 Series Pin Washer	2
14	109082	980mm K2 HD SQ Tine	18
15	1090821	980mm K3 HD SQ Tine	4

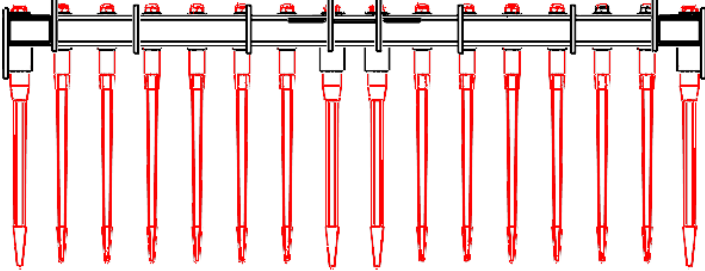
CONTACT –0044 (0) 2837 552390

EMAIL – david.ferris@redrockmachinery.com



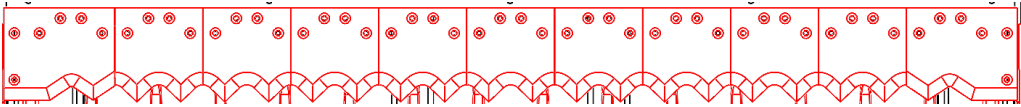
Blockcutter Range

130 Series 3 Ram Tines

240-130	 <p data-bbox="970 555 1398 584">.2x 100086 890mm K2 HD SQ Tine</p> <p data-bbox="970 607 1398 636">4x1000828 890mm K3 HD SQ Tine</p>
300-130	<p data-bbox="783 936 836 965">Tine</p> <p data-bbox="1070 902 1442 931">4x1000828 890mm K3 HD SQ</p>

130 Series 3 Ram Blades

The amount of front blades depends on the model as they get wider more of the blade 7 (100851) gets added. Refer to this table to know the quantity required for your model:

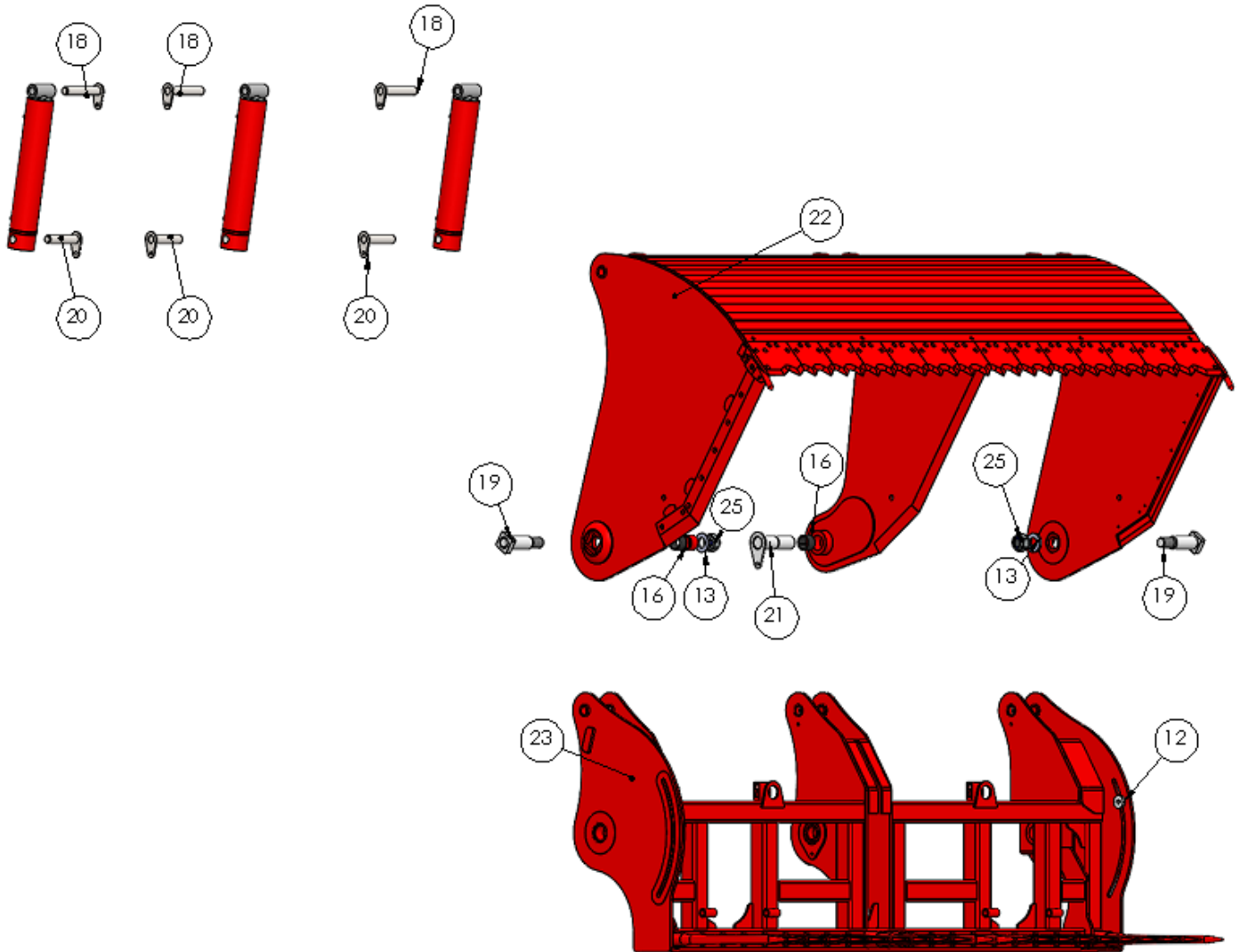
240-130	 <p data-bbox="256 1525 411 1585">9x 1000851 48x FA11211</p>
300-130	

77 Redrock Road,
Collone, Armagh,
N. Ireland BT60 2BL

Tel – 0044 28 3755 2390
Web – www.redrockmachinery.com

Blockcutter Range

130 Series 3 Ram Pins



ITEM NO.	PART NO.	DESCRIPTION	QTY.
12	106684-00	85 Series 62mm Wear Washer	2
13	1090680-00	130 Series Pin Washer	2
14	109082	980mm K2 HD SQ Tine	18
15	1090821	980mm K3 HD SQ Tine	4
16	1090904	EG 60/70x50mm Steel Bush	4
17	109095-00	130 Series Spacer	2
18	11301100-01	100 & 130 series front ram pin	3
19	11301110-00	130 Main Hinge Pin	2
20	11302100-01	100 & 130 series rear ram pin	3
21	11303100-00	300/130 Centre Pin	1

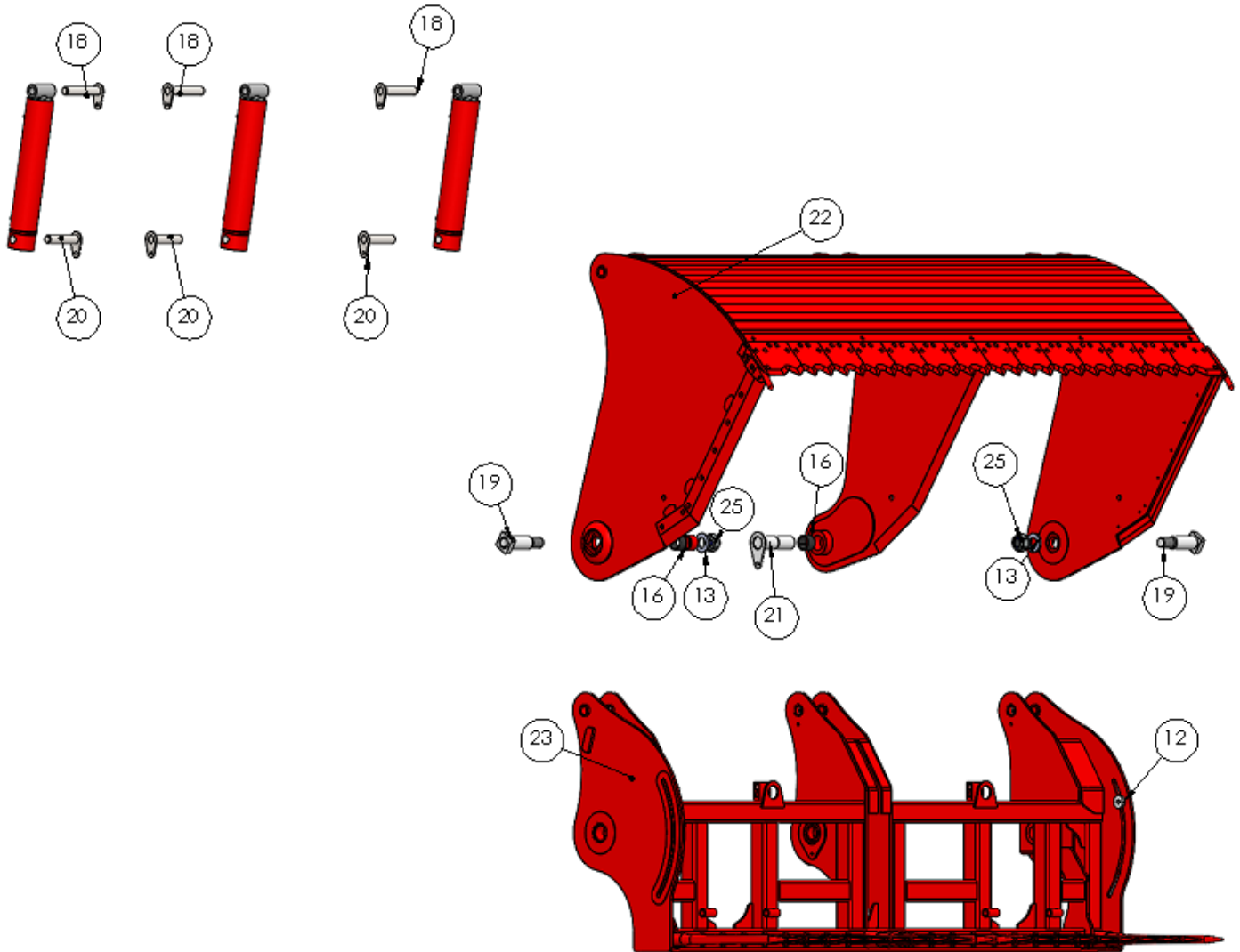
CONTACT –0044 (0) 2837 552390

EMAIL – david.ferris@redrockmachinery.com



Blockcutter Range

130 Series 3 Ram Pins



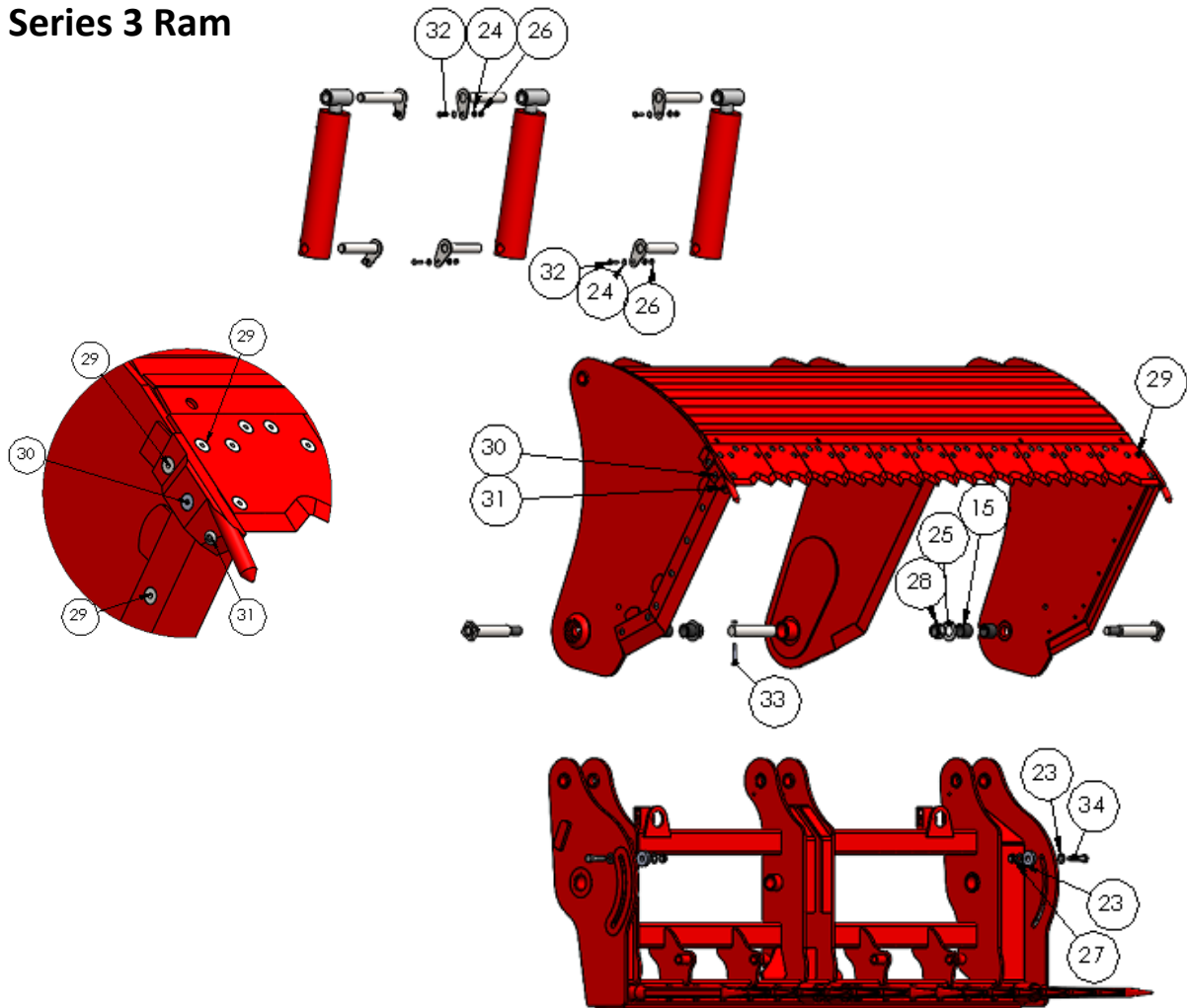
ITEM NO.	PART NO.	DESCRIPTION	QTY.
22		Blockcutter Front Assembly	1
	124013010-00	240-130 Blockcutter Front Assembly	
	130013010-00	300-130 Blockcutter Front Assembly	
23		Blockcutter Back Assembly	1
	124013032-00	240130 Blockcutter Back Assembly	
	130013020-00	300-130 Blockcutter Back Assembly	

77 Redrock Road,
Collone, Armagh,
N. Ireland BT60 2BL

Tel – 0044 28 3755 2390
Web – www.redrockmachinery.com

Blockcutter Range

130 Series 3 Ram



ITEM NO.	PART NO.	DESCRIPTION	QTY.
23	FA001***	M20 Washer	4
24	FA00125	M12 Washer	12
25	FA00230	1 1/2" Washer Plated (38.10)	2
26	FA02040P	M12 Lock Nut	7
27	FA02060P	M20 NYLOC Nut Plated	2
28	FA02090	M36 Nyloc Nut	2
29	FA11211	M12x25 SKT CSK	See page 61
30	FA11216	M12x030 SKT CSK SC PL	2
31	FA112175	M12x30 Button Head	2
32	FA11220P	M12x40 Set Screw Plated	6
33	FA11240	M12x80 Hexagon Bolt Plated	1
34	FA12025	M20x80 Hexagon Bolt Plated	2

CONTACT –0044 (0) 2837 552390

EMAIL – david.ferris@redrockmachinery.com



77 Redrock Road,
Collone, Armagh,
N. Ireland BT60 2BL

Tel – 0044 28 3755 2390
Web – www.redrockmachinery.com

Blockcutter Range

130 Series 3 Ram Hydraulics

CONTACT – 0044 (0) 2837 552390

EMAIL – david.ferris@redrockmachinery.com



77 Redrock Road,
Collone, Armagh,
N. Ireland BT60 2BL
Tel – 0044 28 3755 2390
Web – www.redrockmachinery.com

Blockcutter Range

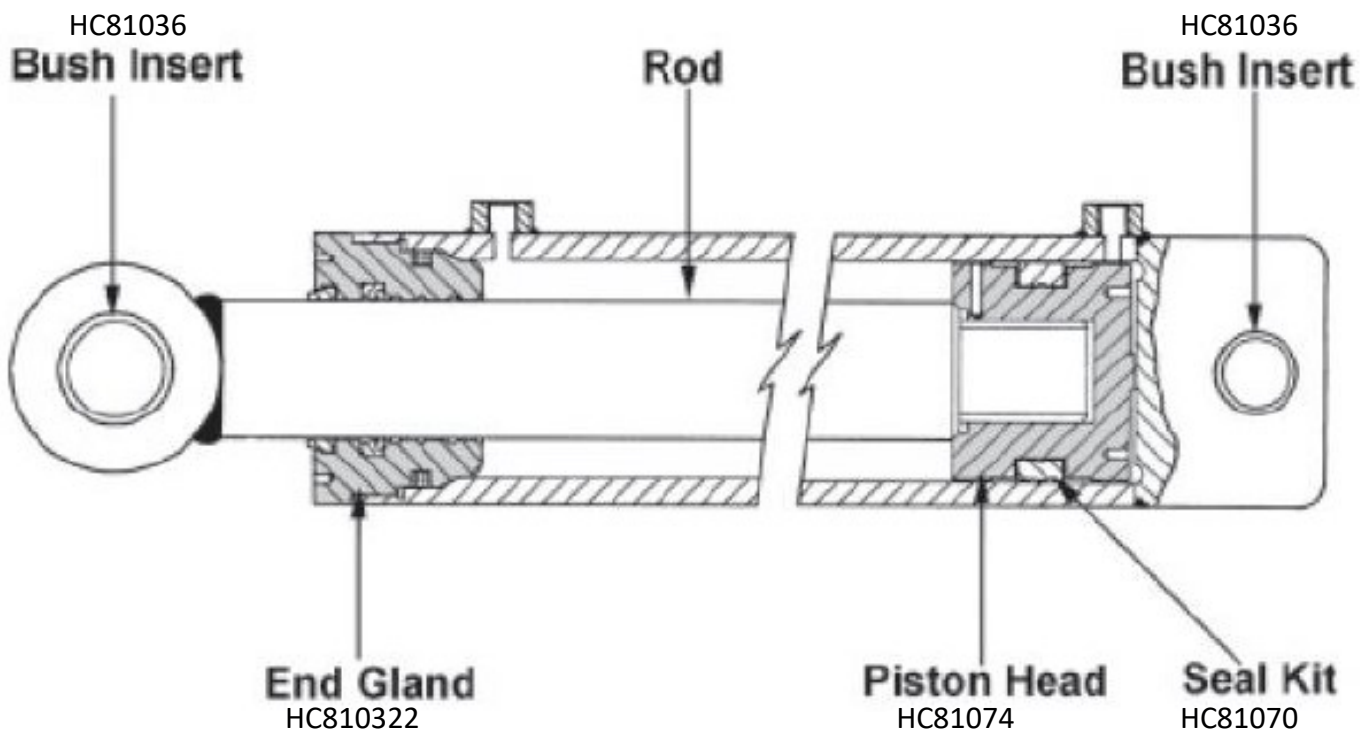
130 Series 3 Ram Hydraulics

Hose Kits

Model	Kit Number
240-130	
300-130	

130 Series Ram

Part Number: HC10025



CONTACT –0044 (0) 2837 552390

EMAIL – david.ferris@redrockmachinery.com

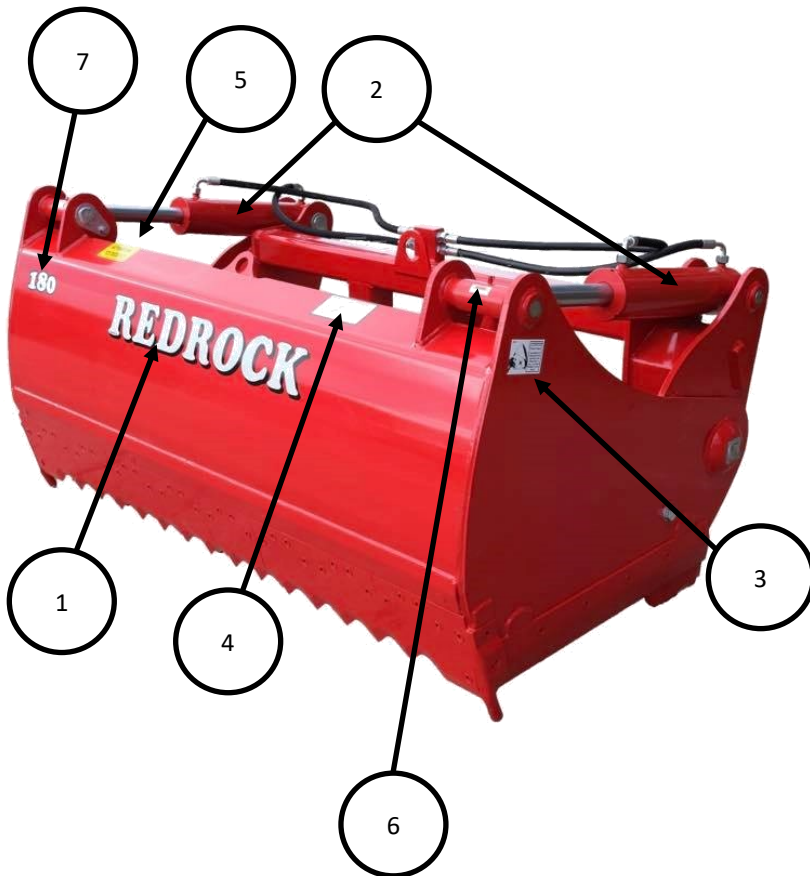


77 Redrock Road,
Collone, Armagh,
N. Ireland BT60 2BL

Tel – 0044 28 3755 2390
Web – www.redrockmachinery.com

Blockcutter Range

130 Series 3 Ram Stickers



ITEM NO.	PART NO.	PHOTO	QTY
1	800041-01		1
2	8000311-00		2
3	800029		1
4	8000295		1
5	800003		1
6	800021		6
7		Model Identification Sticker	1
	8000018	240	
	8000019	300	

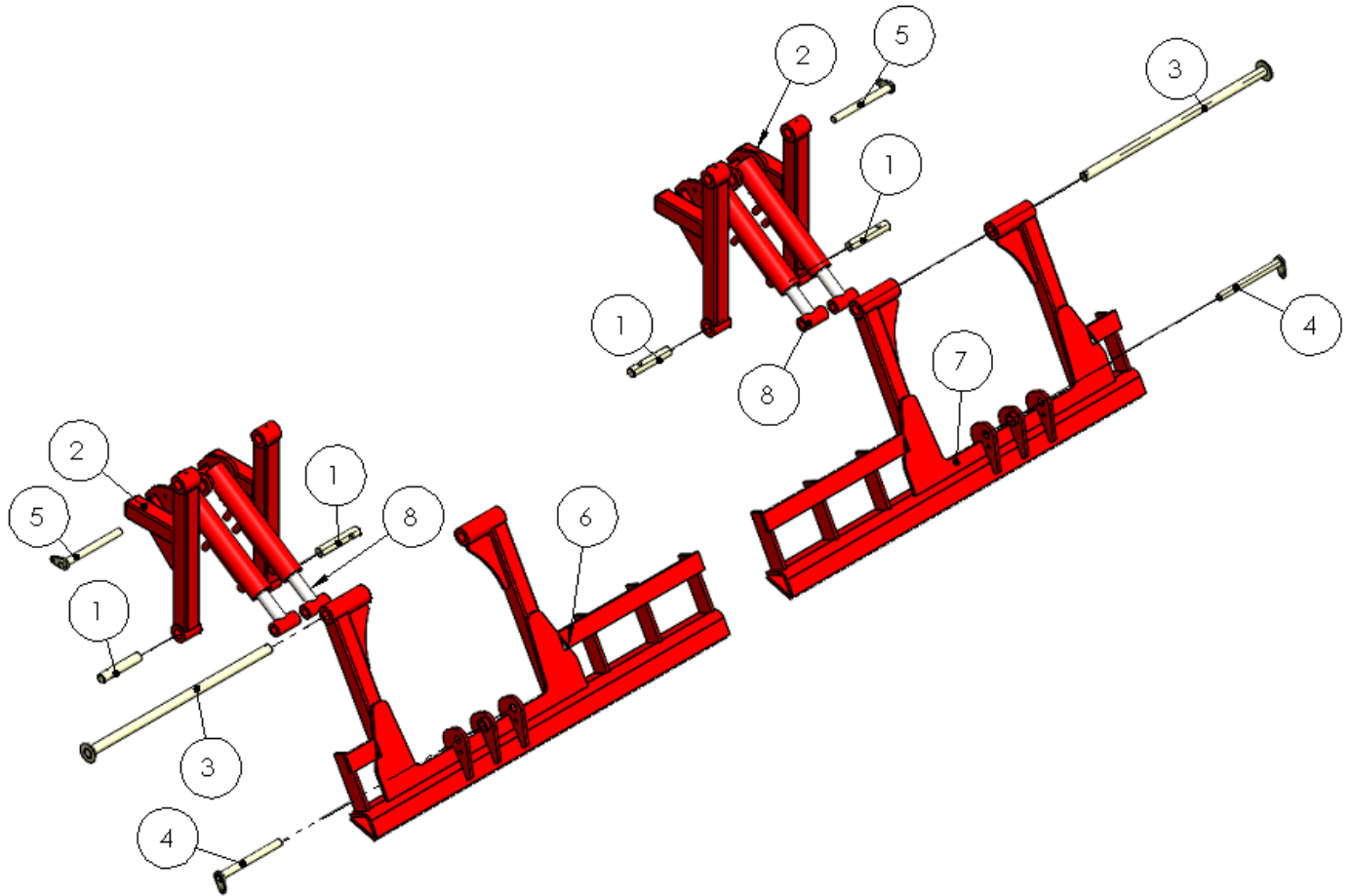
CONTACT – 0044 (0) 2837 552390

EMAIL – david.ferris@redrockmachinery.com



Blockcutter Range

130 Series 3 Ram Push off



ITEM NO.	PART NO.	DESCRIPTION	QTY.
1	1102140-00	Push-Off Bottom Pivot Pin	4
2	116013055-00	130 Push Off - Back	2
3	116013065-00	130 Push Off - Hinge Pin	2
4	116013075-00	130 Push Off - Ram Head Pin	2
5	116013085-00	130 Push Off - Ram Body Pin	2
6	124013040-00	240/130 Push Off - RH Front	1
	130013040-00	300/130 Push Off - RH Front	
7	124013045-00	240/130 Push Off - LH Front	1
	130013045-00	300/130 Push Off - LH Front	
8	HC10070-2	Push Off Ram	4

CONTACT –0044 (0) 2837 552390

EMAIL – david.ferris@redrockmachinery.com

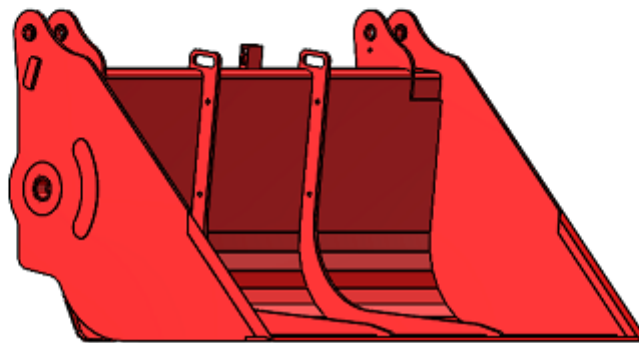
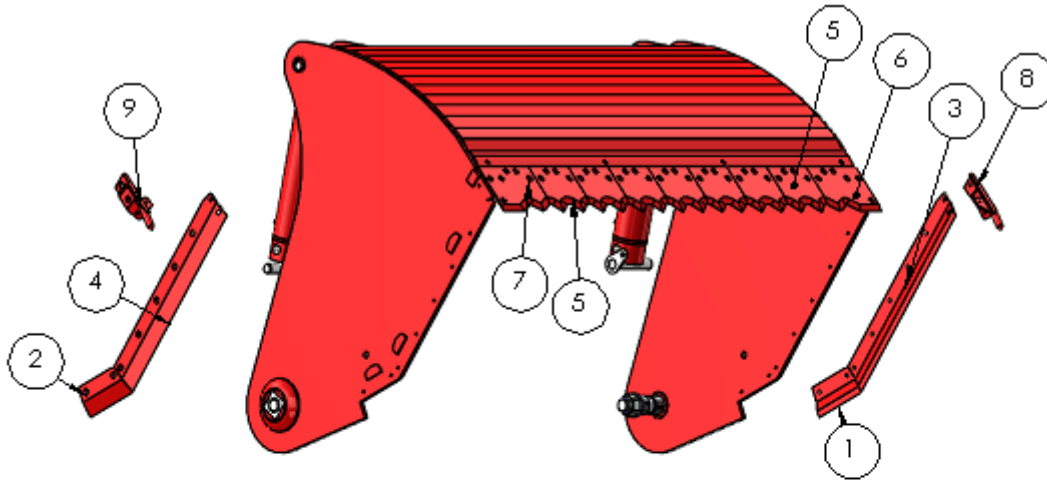


77 Redrock Road,
Collone, Armagh,
N. Ireland BT60 2BL

Tel – 0044 28 3755 2390
Web – www.redrockmachinery.com

Blockcutter Range

130 Series All Round Parts



ITEM NO.	PART NO.	DESCRIPTION	QTY.
1	1000837L	Tele Short Side Blade LHS	1
2	1000837R	Tele Short Side Blade RHS	1
3	100083L	Silage Knife LH	1
4	100083R	Silage Knife RH	1
5	1000851	210mm Front Blade	7
6	1000865L	265mm Front Left Blade	1
7	1000865R	264mm New Right End Blade	1
8	100088L	LH Bolt on Stop Point	1
9	100088R	RH Bolt-On Stop Point	1

CONTACT – 0044 (0) 2837 552390

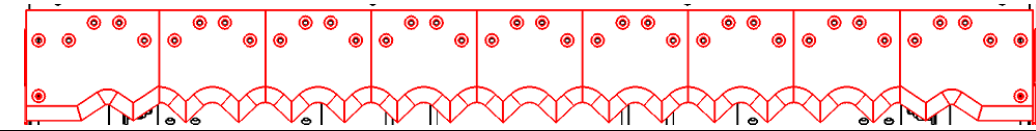
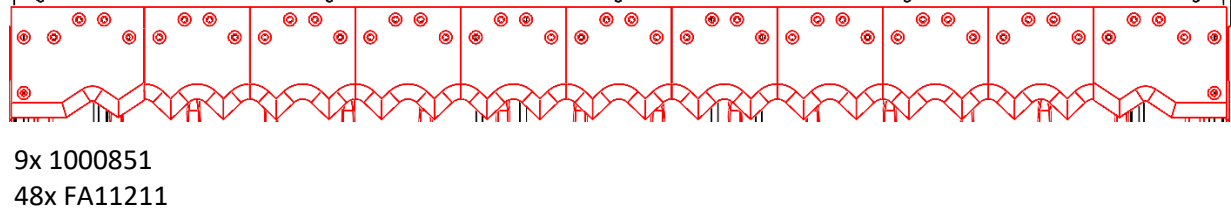
EMAIL – david.ferris@redrockmachinery.com



Blockcutter Range

130 Series All Round Blades

The amount of front blades depends on the model as they get wider more of the blade 7 (100851) gets added. Refer to this table to know the quantity required for your model:

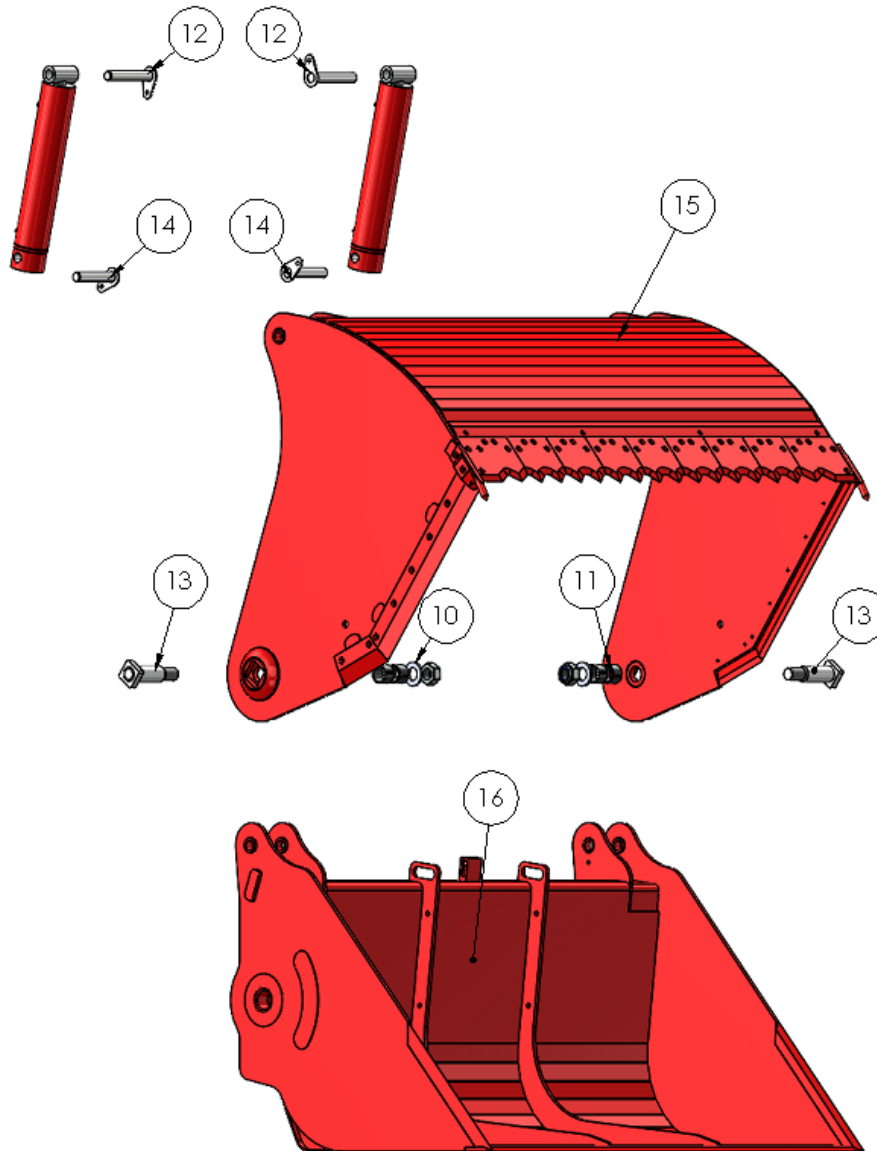
200-130		7x 100851 40x FA11211
240-130		9x 100851 48x FA11211

77 Redrock Road,
Collone, Armagh,
N. Ireland BT60 2BL

Tel – 0044 28 3755 2390
Web – www.redrockmachinery.com

Blockcutter Range

130 Series All Round Pins



ITEM NO.	PART NO.	DESCRIPTION	QTY.
10	1090680-00	130 Series Pin Washer	2
11	1090904	EG 60/70x50mm Steel Bush	4
12	11301100-00	100 & 130 series front ram pin	2
13	11301110-00	130 Main Hinge Pin	2
14	11302100-00	100 & 130 series rear ram pin	2
15	116950-00	200-130 Blockcutter Front Assembly	1
16	120013030-00	200/130 Bucket Assembly	1

CONTACT –0044 (0) 2837 552390

EMAIL – david.ferris@redrockmachinery.com

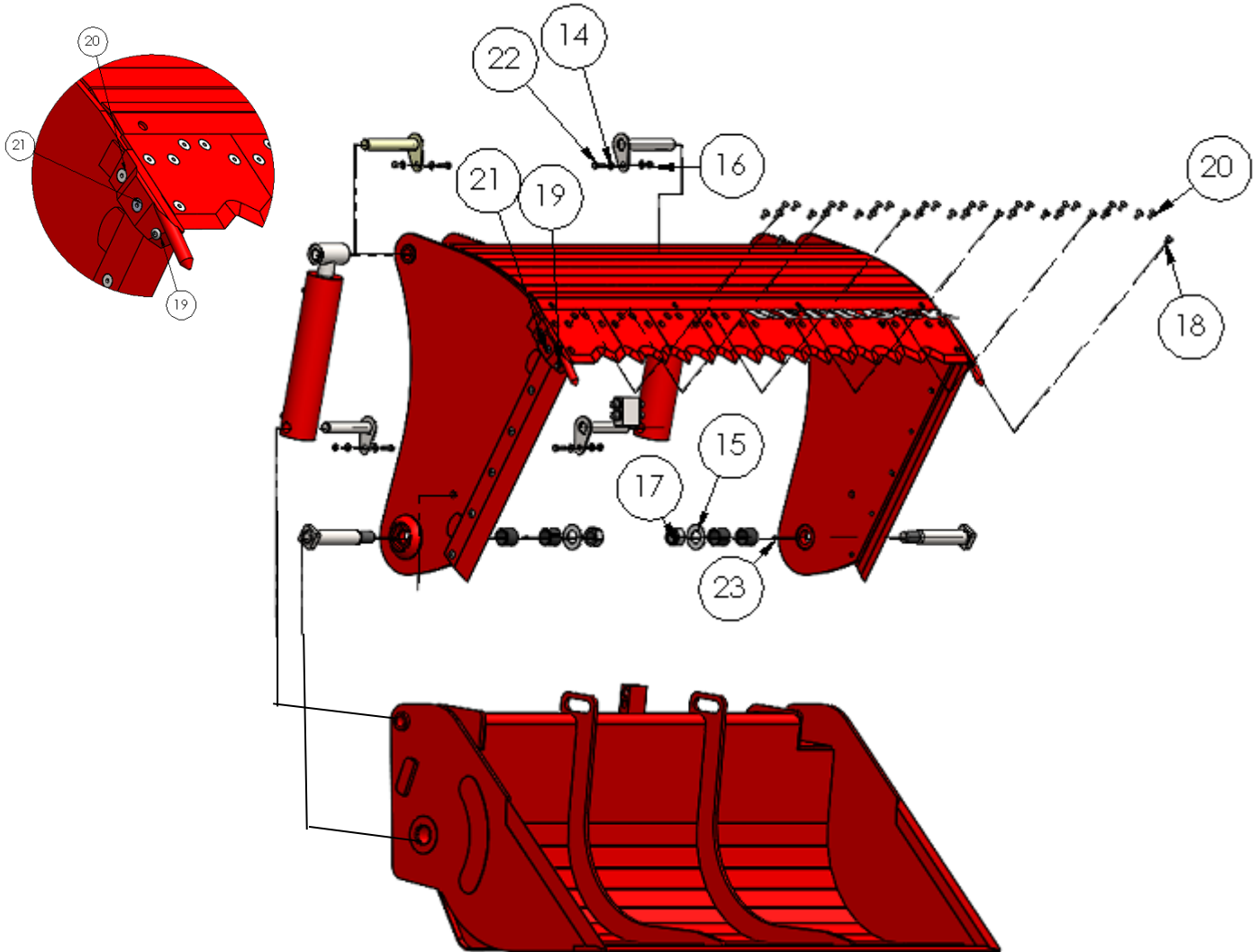


77 Redrock Road,
Collone, Armagh,
N. Ireland BT60 2BL

Tel – 0044 28 3755 2390
Web – www.redrockmachinery.com

Blockcutter Range

130 Series All Round Fasteners



ITEM NO.	PART NO.	DESCRIPTION	QTY.
14	FA00125	M12 Washer	8
15	FA00230	1 1/2" Washer Plated (38.10)	2
16	FA02040P	M12 Lock Nut	4
17	FA02090	M36 Nyloc Nut	2
18	FA11205	M12 x 18 SS CSK	1
19	FA11206	M12 Socket Button Head Screw Plated	2
20	FA11211	M12x25 SKT CSK	See page 69
21	FA11216	M12x030 SKT CSK SC PL	2
22	FA11220P	M12x40 Set Screw Plated	4
23	FA18110	M6 Straight Grease Nipple	2

CONTACT – 0044 (0) 2837 552390

EMAIL – david.ferris@redrockmachinery.com



77 Redrock Road,
Collone, Armagh,
N. Ireland BT60 2BL

Tel – 0044 28 3755 2390
Web – www.redrockmachinery.com

Blockcutter Range

130 Series All Round Hydraulics

CONTACT – 0044 (0) 2837 552390

EMAIL – david.ferris@redrockmachinery.com



77 Redrock Road,
Collone, Armagh,
N. Ireland BT60 2BL
Tel – 0044 28 3755 2390
Web – www.redrockmachinery.com

Blockcutter Range

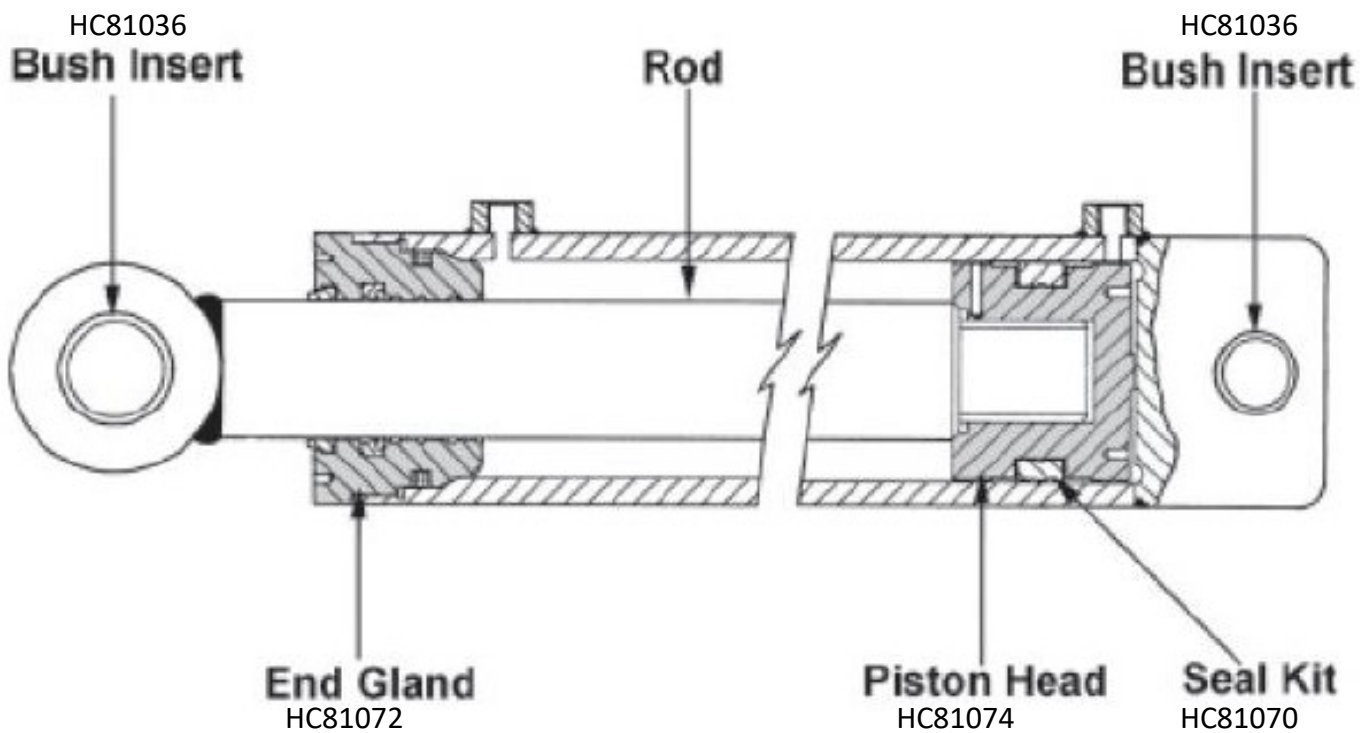
130 Series All Round Hydraulics

Hose Kits

Model	Kit Number
200-100	110092
240-100	

130 Series Ram

Part Number: HC10025



CONTACT –0044 (0) 2837 552390

EMAIL – david.ferris@redrockmachinery.com

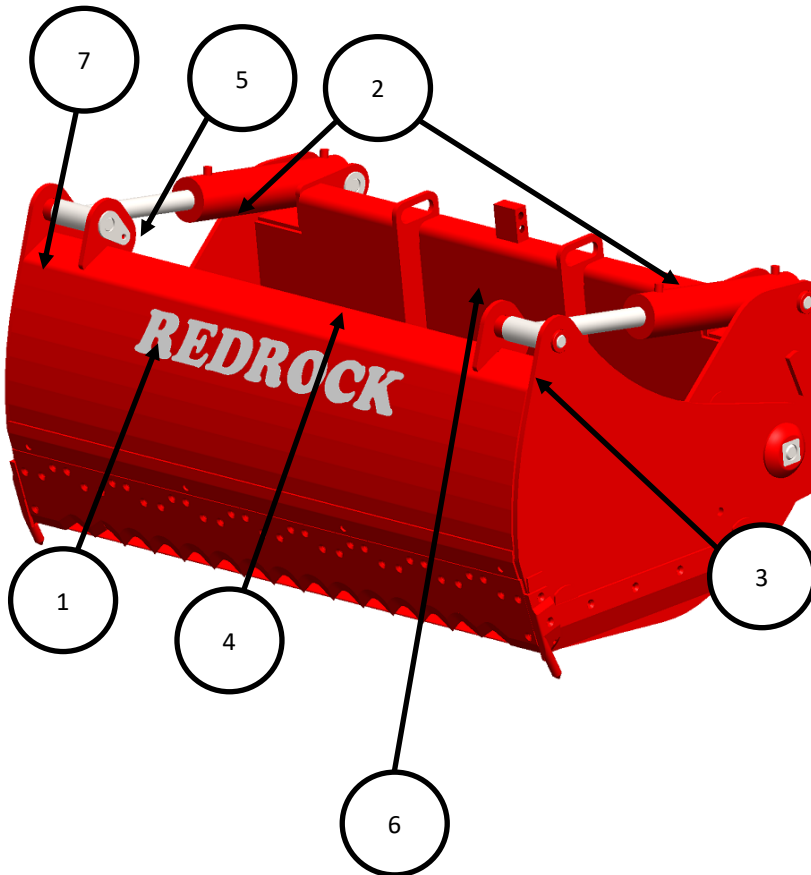


77 Redrock Road,
Collone, Armagh,
N. Ireland BT60 2BL

Tel – 0044 28 3755 2390
Web – www.redrockmachinery.com

Blockcutter Range

100 Series All Round Stickers



ITEM NO.	PART NO.	PHOTO	QTY
1	800041-01		1
2	8000313-00		2
3	800029		1
4	8000295		1
5	800003		1
6	800021		6
7		Model Identification Sticker	1
	8000017		
	8000018		

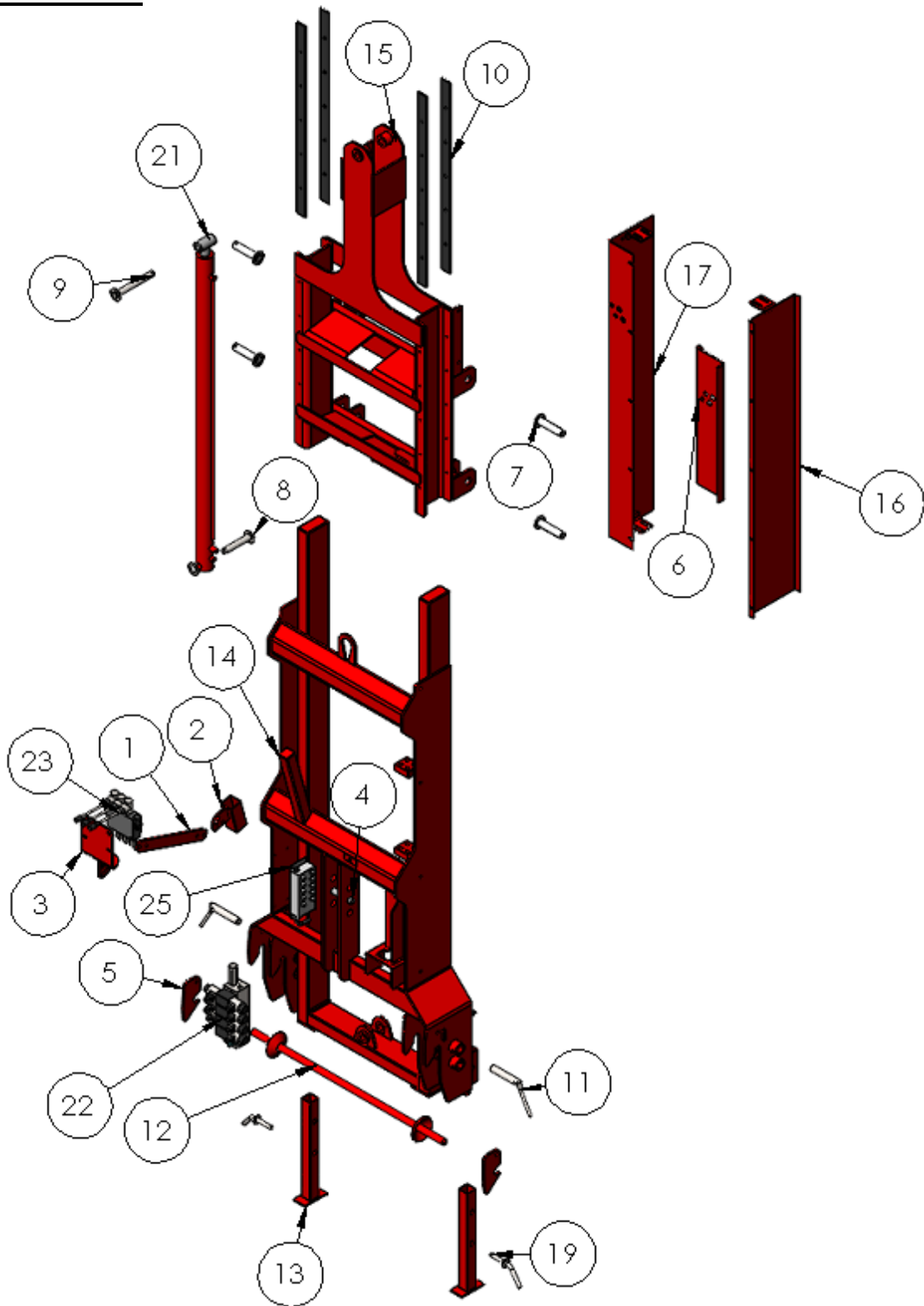
CONTACT – 0044 (0) 2837 552390

EMAIL – david.ferris@redrockmachinery.com



Blockcutter Range

Low Lift Mast



CONTACT – 0044 (0) 2837 552390

EMAIL – david.ferris@redrockmachinery.com



Blockcutter Range

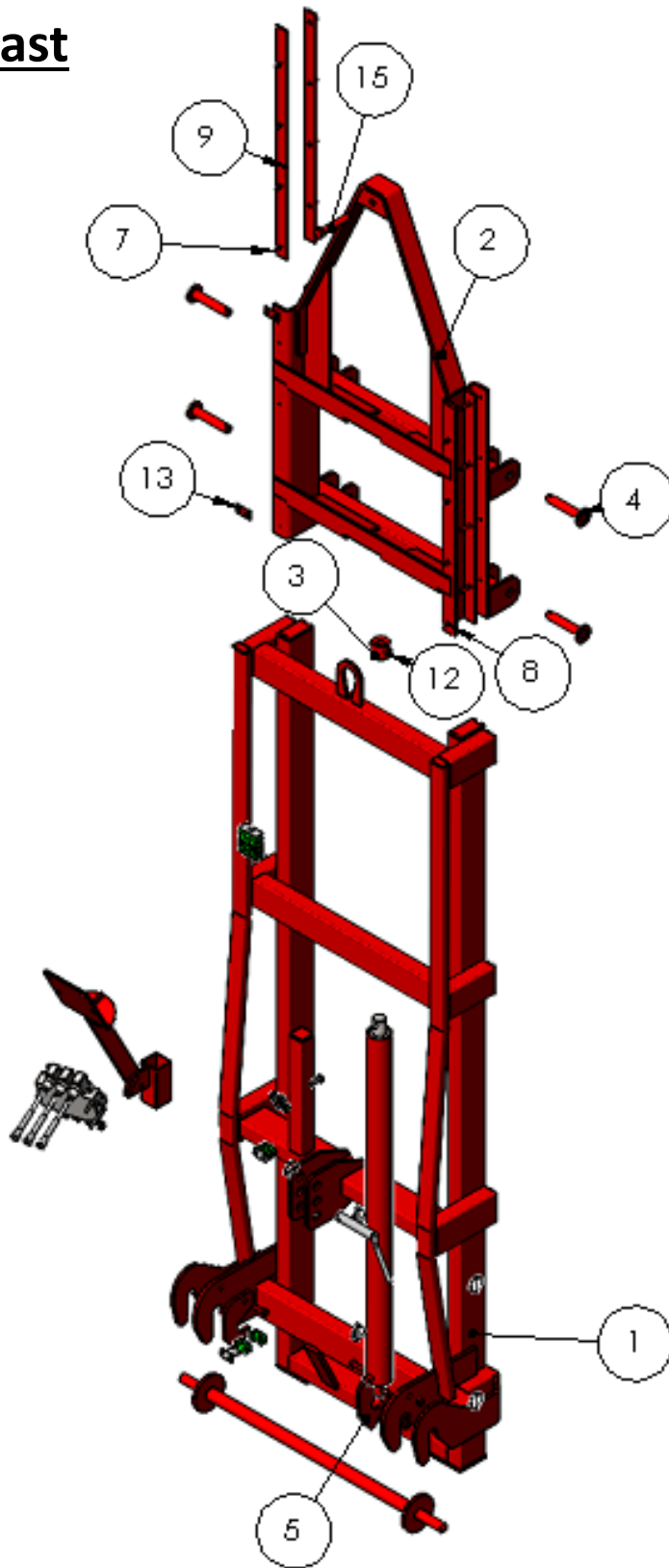
High Lift Mast

ITEM NO.	PART NO.	DESCRIPTION	QTY.
1	106041-02	Control Bank Arm	1
2	106095-00	Control Bank Mount	1
3	106096-00	Control Bank Mount	1
4	108051	Top Link Pin Assembly	1
5	111002-00	Quick Hitch Latch	2
6	111021-00	Mask Box Bulkhead Slide	1
7	111036	Mounting Pin	4
8	111050-00	Low Lift Ram Bottom Pin	1
9	111054-00	Low Lift Top Ram Pin	1
10	111083-01	915x50x6mm Black Nylon	4
11	111091	Heavy Duty Lo Lift pin	2
12	111094-01	H.D. Lo-Lift Q-Hitch Bar	1
13	111097	Low Lift Jack Leg Assembly	2
14	111098-01	Low Lift Mast	1
15	111099-01	Lo-lift Twin Ram Slide	1
16	1111125-00	Low Lift Bulk Outer Hose Tray	1
17	111120-00	Low Lift Bulkhead inside plate	1
18	300286	50x50 PLASTIC BLANK CAP	2
19	300514	JACK LEG PIN ASSY	2
20	FA00170	1" Flat Washer Plated	2
21	HC10065-00	Low Lift Double Acting Ram	1
22	HY09231		1
23	HY092405	2 Bank Lever Valve Chest	1
24	KIT116	Twin Ram Lo-Lift Build Kit	1
25	S1160130-00	160-130 Blockcutter Assembly	1
26	STR-ELEC-205	Digi Device Control Box	1

77 Redrock Road,
Collone, Armagh,
N. Ireland BT60 2BL
Tel – 0044 28 3755 2390
Web – www.redrockmachinery.com

Blockcutter Range

High Lift Mast



CONTACT – 0044 (0) 2837 552390
EMAIL – david.ferris@redrockmachinery.com



77 Redrock Road,
Collone, Armagh,
N. Ireland BT60 2BL

Tel – 0044 28 3755 2390
Web – www.redrockmachinery.com

Blockcutter Range

High Lift Mast

ITEM NO.	PART NO.	DESCRIPTION	QTY.
1	106098	Hi-lift Frame	1
2	106099	Hi-lift Slider	1
3	106043-01	Bottom Ram Bush	1
4	100216-02	Back Frame Pin Assembly	4
5	106002-01	Quick Hitch Latch	2
6	KIT118	Hi-Lift Build Kit	1
7	FA10623	M6x25 Slotted Countersunk Screw (Brass)	16
8	FA01010	M6 Plain Nut Plated	16
9	106083-00	Hi-lift nylon plate	4
10	FA11220P	M12 x 40 Bolt	2
11	FA02040P	M12 Lock Nut	3
12	FA11240	M12 x 80 Bolt	1
13	HY12035	Single Hose Clamp Base Plate	2
14	HY12015	Twin Hose Clamp Base Plate	1
15	UNF ¾x4 HB BL	¾"x4" UNF Hexagon Bolt Black	1
16	UNF ¾ Nyloc Nut	¾" UNF Nyloc Nut	1

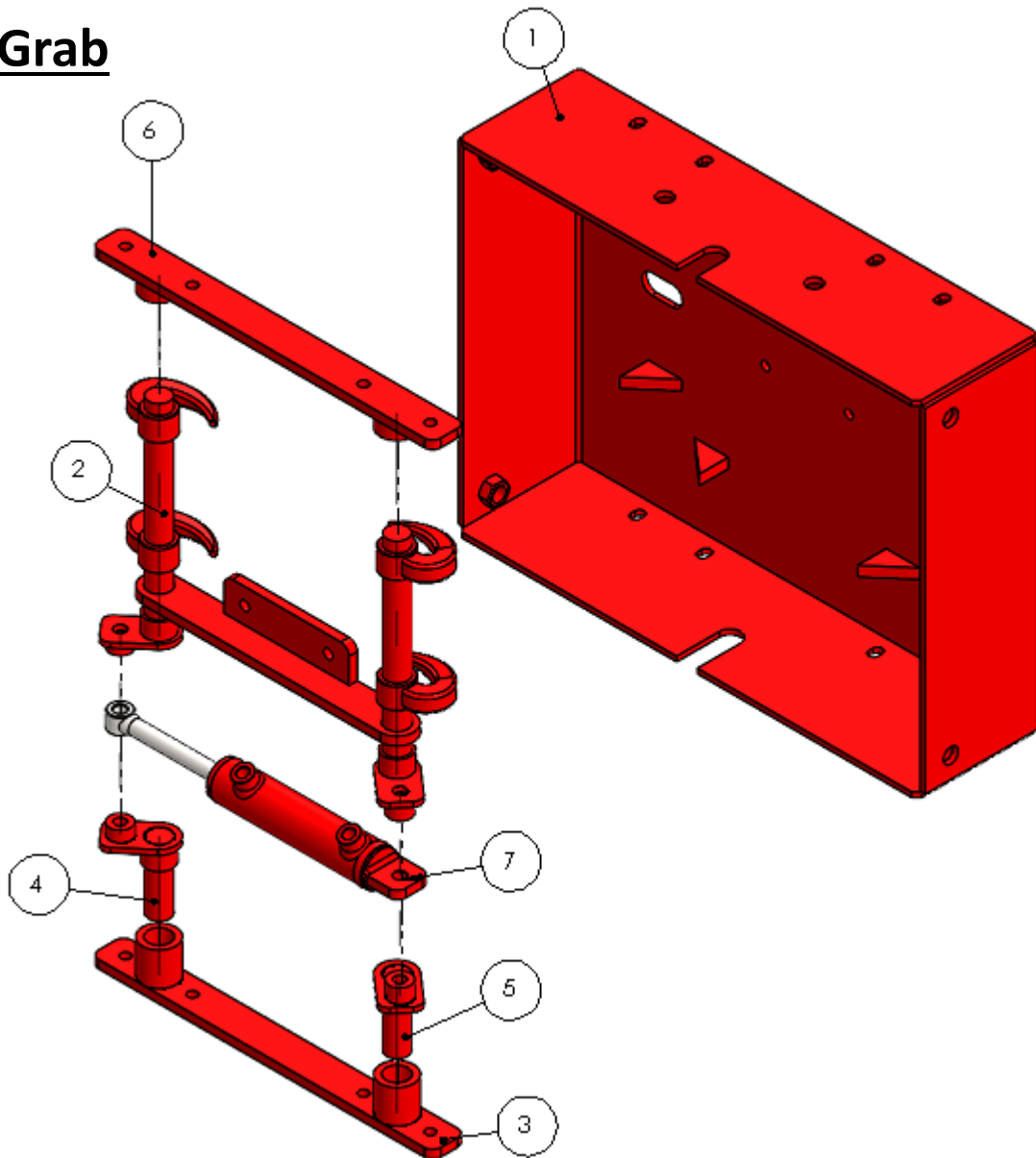
CONTACT –0044 (0) 2837 552390

EMAIL – david.ferris@redrockmachinery.com



Blockcutter Range

Bale Grab



ITEM NO.	PART NO.	DESCRIPTION	QTY.
1	1400110-00	Bale Grab- Welded Box Assem	1
2	1400120-00	Bale Grab- Hook Assem	1
3	1400130-00	Bale Grab - Bottom Ram Pivot Holder Assem	1
4	1400150-00	Bale Grab- Ram Bottom Pivot Assem	1
5	1400160-00	Bale Grab- Ram Back Bottom Pivot Assem	1
6	1400170-00	Bale Grab - Bottom Ram Pivot Holder Assem	1
7	HC10100	Ram	1

CONTACT –0044 (0) 2837 552390

EMAIL – david.ferris@redrockmachinery.com



77 Redrock Road,
Collone, Armagh,
N. Ireland BT60 2BL

Tel – 0044 28 3755 2390
Web – www.redrockmachinery.com

Blockcutter Range

CONTACT – 0044 (0) 2837 552390

EMAIL – david.ferris@redrockmachinery.com

